

# aiwa

**COMPACT DISC STEREO SYSTEM  
SISTEMA ESTEREO CON REPRODUCTOR DE DISCOS COMPACTOS  
CHAINE STEREO AVEC LECTEUR DE DISQUES COMPACTS**

# LCX-150 LCX-151

**OPERATING INSTRUCTIONS  
MANUAL DE INSTRUCCIONES  
MODE D'EMPLOI**

**En** (English)

**E** (Español)

**F** (Français)

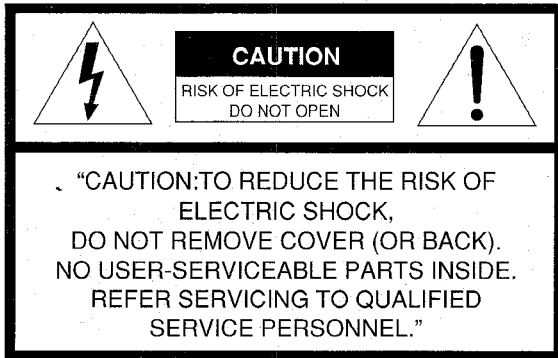
For assistance and information,  
***call toll free 1-800-BUY-AIWA.***  
(United States and Puerto Rico)

**U**

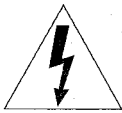
**COMPACT  
disc  
DIGITAL AUDIO**

**WARNING**

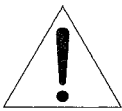
TO REDUCE THE RISK OF FIRE OR ELECTRIC SHOCK, DO NOT EXPOSE THIS APPLIANCE TO RAIN OR MOISTURE.



**Explanation of Graphical Symbols:**



The lightning flash with arrowhead symbol, within an equilateral triangle, is intended to alert the user to the presence of uninsulated "dangerous voltage" within the product's enclosure that may be of sufficient magnitude to constitute a risk of electric shock to persons.



The exclamation point within an equilateral triangle is intended to alert the user to the presence of important operating and maintenance (servicing) instructions in the literature accompanying the appliance.

**PRECAUTIONS**

Read the Operating Instructions carefully and completely before operating the unit. Be sure to keep the Operating Instructions for future reference. All warnings and cautions in the Operating Instructions and on the unit should be strictly followed, as well as the safety suggestions below.

**Installation**

- 1 **Water and moisture** — Do not use this unit near water, such as near a bathtub, washbowl, swimming pool, or the like.
- 2 **Heat** — Do not use this unit near sources of heat, including heating vents, stoves, or other appliances that generate heat. It also should not be placed in temperatures less than 5°C (41°F) or greater than 35°C (95°F).
- 3 **Mounting surface** — Place the unit on a flat, even surface.
- 4 **Ventilation** — The unit should be situated with adequate space around it so that proper heat ventilation is assured. Allow 10 cm (4 in.) clearance from the rear and the top of the unit, and 5 cm (2 in.) from the each side.
  - Do not place the unit on a bed, rug, or similar surface that may block the ventilation openings.
  - Do not install the unit in a bookcase, cabinet, or airtight rack where ventilation may be impeded.
- 5 **Objects and liquid entry** — Take care that objects or liquids do not get inside the unit through the ventilation openings.
- 6 **Carts and stands** — When placed or mounted on a stand or cart, the unit should be moved with care. Quick stops, excessive force, and uneven surfaces may cause the unit or cart to overturn or fall.



- 7 **Condensation** — Moisture may form on the CD pickup lens when:
  - The unit is moved from a cold spot to a warm spot
  - The heating system has just been turned on
  - The unit is used in a very humid room
  - The unit is cooled by an air conditioner
 When this unit has condensation inside, it may not function normally. Should this occur, leave the unit for a few hours, then try to operate again.
- 8 **Wall or ceiling mounting** — The unit should not be mounted on a wall or ceiling, unless specified in the Operating Instructions.

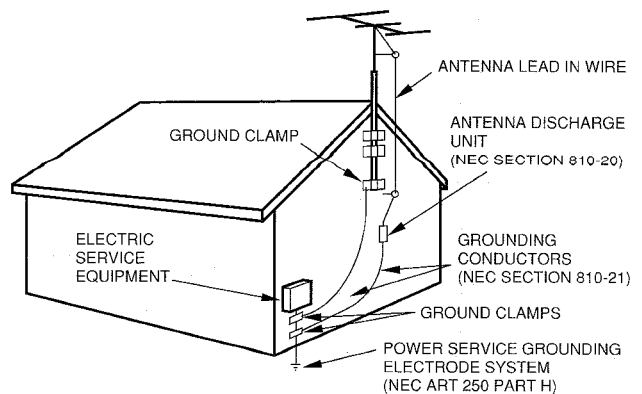
**Electric Power**

- 1 **Power sources** — Connect this unit only to power sources specified in the Operating Instructions, and as marked on the unit.
- 2 **Polarization** — As a safety feature, some units are equipped with polarized AC power plugs which can only be inserted one way into a power outlet. If it is difficult or impossible to insert the AC power plug into an outlet, turn the plug over and try again. If it still does not easily insert into the outlet, please call a qualified service technician to service or replace the outlet. To avoid defeating the safety feature of the polarized plug, do not force it into a power outlet.
- 3 **AC power cord**
  - When disconnecting the AC power cord, pull it out by the AC power plug. Do not pull the cord itself.
  - Never handle the AC power plug with wet hands, as this could result in fire or shock.
  - Power cord should be routed to avoid being severely bent, pinched, or walked upon. Pay particular attention to the cord from the unit to the power socket.
  - Avoid overloading AC power plugs and extension cords beyond their capacity, as this could result in fire or shock.
- 4 **Extension cord** — To help prevent electric shock, do not use a polarized AC power plug with an extension cord, receptacle, or other outlet unless the polarized plug can be completely inserted to prevent exposure of the blades of the plug.
- 5 **When not in use** — Disconnect the AC power cord from the AC outlet if the unit will not be used for several months or more. When the cord is plugged in, a small amount of current continues to flow to the unit, even when the power is turned off.

**Outdoor Antenna**

- 1 **Power lines** — When connecting an outdoor antenna, make sure it is located away from power lines.
- 2 **Outdoor antenna grounding** — Be sure the antenna system is properly grounded to provide protection against unexpected voltage surges or static electricity build-up. Article 810 of the National Electrical Code, ANSI/NFPA 70, provides information on proper grounding of the mast, supporting structure, and the lead-in wire to the antenna discharge unit, as well as the size of the grounding unit, connection to grounding terminals, and requirements for grounding terminals.

Antenna Grounding According to the National Electrical Code



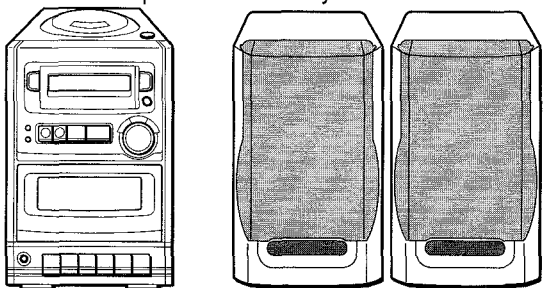
NEC-NATIONAL ELECTRICAL CODE

# Welcome to the Aiwa Stereo System

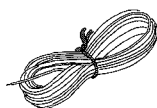
Congratulations on your purchase of an Aiwa Stereo System. To optimize the performance of this system, please take the time to read through these Operating Instructions and become familiar with the operating procedures.

## Check your system and accessories

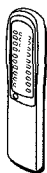
LCX-150/LCX-151  
Compact disc stereo system



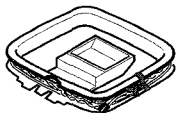
FM antenna



Remote control



AM antenna



Operating Instructions, etc.

## Owner's record

For your convenience, record the model number and serial number (you will find them on the rear of your set) in the space provided below. Please refer to them when you contact your Aiwa dealer in case of difficulty.

Model No.	Serial No. (Lot No.)
LCX-150U/LCX-151U	

# TABLE OF CONTENTS

## PREPARATIONS

PRECAUTIONS .....	1
CONNECTIONS .....	3
BEFORE OPERATION .....	4

## SOUND

ADJUSTING THE SOUND .....	4
---------------------------	---

## CD PLAYING

PLAYING A CD .....	5
--------------------	---

## RADIO RECEPTION

MANUAL TUNING .....	7
PRESETTING STATIONS .....	7

## TAPE PLAYBACK

PLAYING A TAPE .....	8
----------------------	---

## RECORDING

RECORDING .....	8
-----------------	---

## CLOCK AND TIMER

SETTING THE CLOCK .....	9
SETTING THE TIMER .....	9
SETTING THE SLEEP TIMER .....	10

## OTHER CONNECTIONS

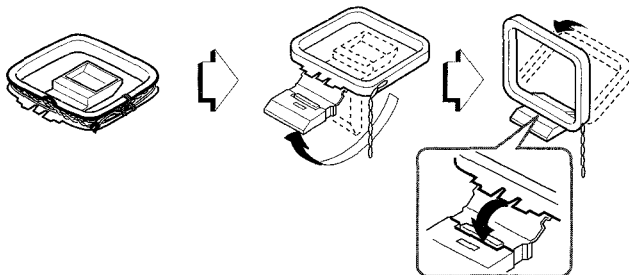
CONNECTING OPTIONAL EQUIPMENT .....	11
-------------------------------------	----

## GENERAL

CARE AND MAINTENANCE .....	11
SPECIFICATIONS .....	12
TROUBLESHOOTING GUIDE .....	12
PARTS INDEX .....	Back cover

## To stand the AM antenna on a surface

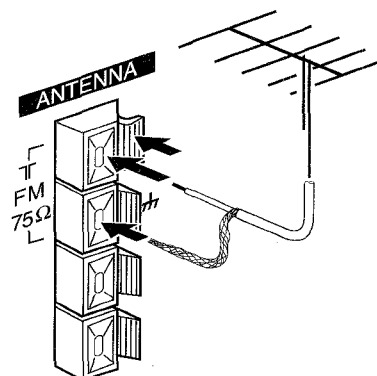
Fix the claw to the slot.



## Connecting an outdoor antenna

For better FM reception, use of an outdoor antenna is recommended.

Connect the outdoor antenna to the FM 75 Ω terminals.



# CONNECTIONS

## Before connecting the AC cord

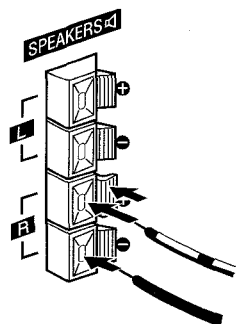
The rated voltage of your unit shown on the rear panel is 120 V AC. Check that the rated voltage matches your local voltage.

### IMPORTANT

- Connect the speakers, antennas, and all optional equipment first. Then connect the AC cord in the end.
- There are no differences between the front speakers. Both speakers can be connected as L (Left) or R (Right).

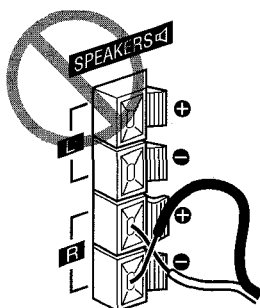
## 1 Connect the speaker cords to the main unit.

The cords with the white stripes should be connected to the  $\oplus$  terminals and the other cords to the  $\ominus$  terminals.



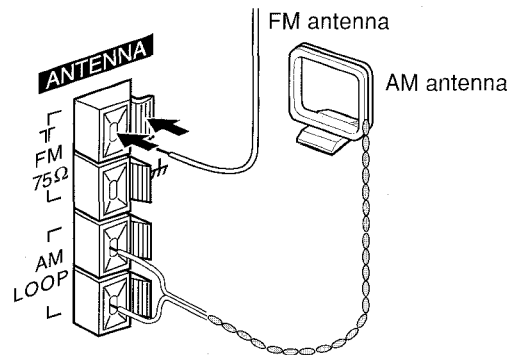
### NOTE

Do not short-circuit the  $\oplus$  and  $\ominus$  speaker cord leads; otherwise the sound may become inaudible. If this happens, disconnect the AC cord from the AC outlet and re-connect the speaker cord correctly. Connect then the AC cord and turn the unit on again.



## 2 Connect the supplied antennas.

Connect the FM antenna to the upper one of the FM 75  $\Omega$  terminals and the AM antenna to the AM LOOP terminals.



## 3 Connect the AC cord to an AC outlet.

### To position the antennas

#### FM antenna:

Extend this antenna and change the direction and angle to find the best reception.

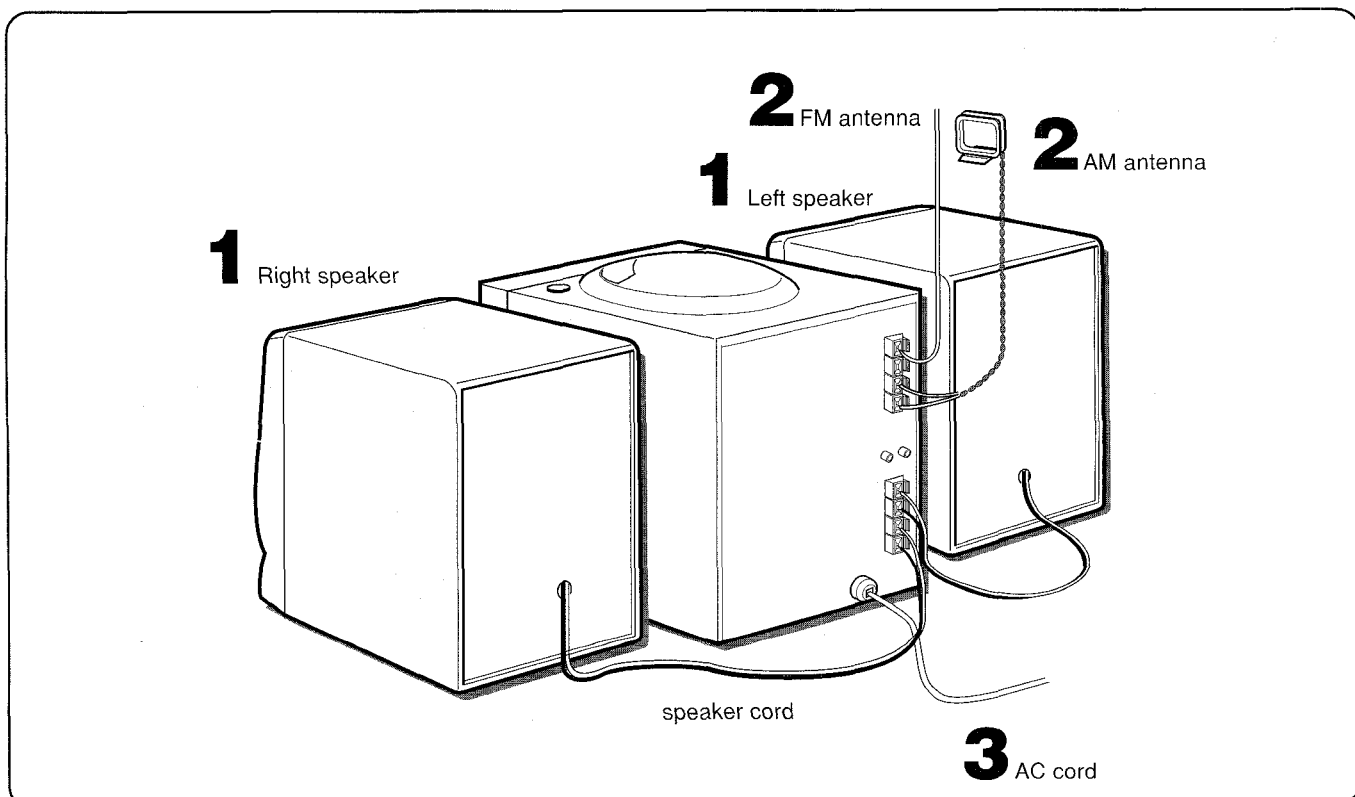
#### AM antenna:

Position to find the best direction.

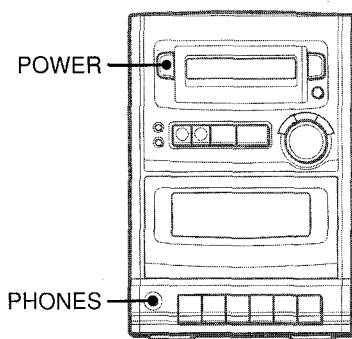
### NOTE

- Do not leave objects generating magnetism near the speakers.
- Do not bring the FM antenna near metal objects or curtain rails.
- Do not bring the AM antenna near other optional equipment, the stereo system itself, the AC cord or speaker cords, since noise will be picked up.
- Do not unwind the AM antenna wire.

To connect other optional equipment → page 11.



## BEFORE OPERATION



### To turn the unit on

Press the POWER button.

### After use

Press the POWER button to turn off the power. The display changes to the clock.

### Using the headphones

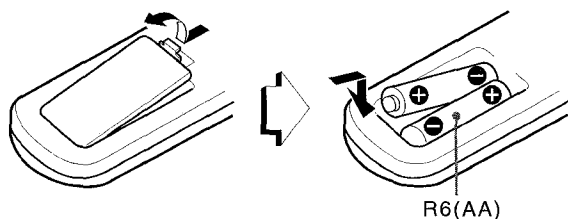
Connect headphones to the PHONES jack with a stereo mini plug (ø3.5 mm, 1/8 inch).

No sound is output from the speakers while the headphones are plugged in.

## REMOTE CONTROL

### Inserting batteries into the remote control

Detach the battery cover on the rear of the remote control and insert two R6 (size AA) batteries.



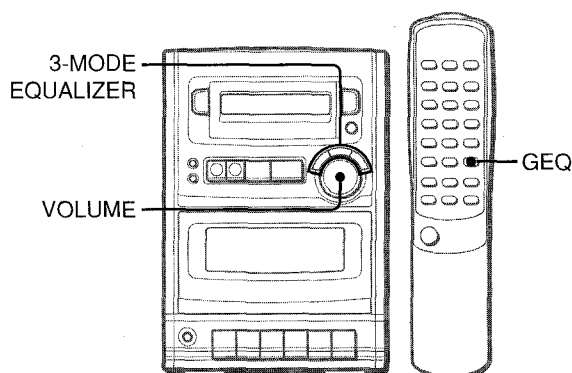
### When to replace the batteries

The maximum operational distance between the remote control and the sensor on the main unit should be approximately 5 meters (16 feet). When this distance decreases, replace the batteries with new ones.

### NOTE

- If the unit is not going to be used for an extended period of time, remove the batteries to prevent possible electrolyte leakage.
- The remote control may not operate correctly when:
  - The line of sight between the remote control and the remote sensor (located in the POWER button) is exposed to intense light, such as direct sunlight
  - Other remote controls are used nearby (television, etc.)

## ADJUSTING THE SOUND



SOUND

## ADJUSTING THE VOLUME

### Press the VOLUME control.

Press the upper side to increase the volume, and the lower side to decrease it.

The volume level is shown on the display for 4 seconds. It can be set from 0 (minimum) to 30, and then MAX (maximum).

The volume remains memorized even after the power is turned off. However, if the power is turned off when the volume is set to more than 20, it is automatically set to 20 the next time the power is turned on.

## GRAPHIC EQUALIZER

Press one of the 3-MODE EQUALIZER buttons.



**ROCK:** Powerful sound emphasizing treble and bass.

**POP:** More presence in the vocals and midrange.

**JAZZ:** Sound enriched with heavy bass and fine treble.

### To cancel the selected mode

Press the selected button again.

### When using the remote control

Press the GEQ button until the desired equalization mode is displayed.

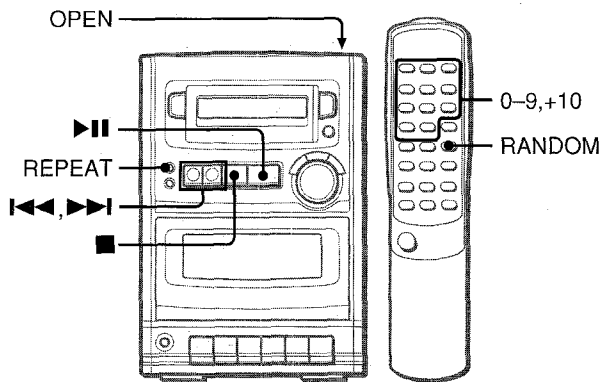
The equalization mode changes to ROCK, POP, JAZZ or no equalization cyclically.

## SOUND ADJUSTMENT DURING RECORDING

The output volume and tone of the speakers or headphones may be freely varied without affecting the level of the recording.

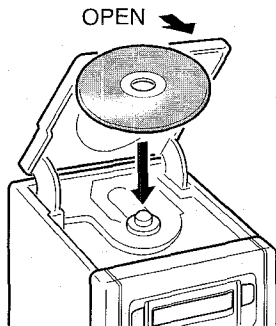
En

## PLAYING A CD



### LOADING A DISC

Press the **OPEN** mark to open the disc compartment. Load a disc with the label side up and close the disc compartment.

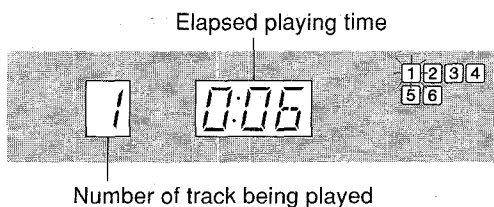


### PLAYING A DISC

Load a disc.

Press the **▶||** button.

Play begins with the first track.



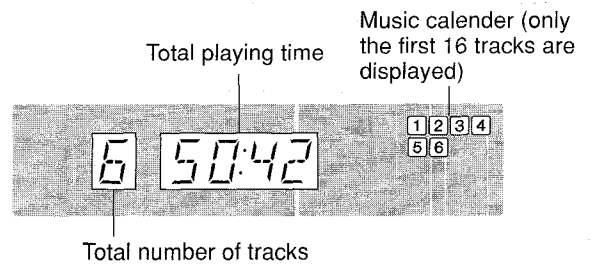
To stop play, press the **■** button.

To pause play, press the **▶||** button. To resume play, press again.

To search for a particular point during playback, keep the **◀◀** or **▶▶** button pressed and release the button at the desired point.

To skip to the beginning of a track during playback, press the **◀◀** or **▶▶** button repeatedly.

### Display in stop mode



### To start play when the power is off (Direct Play Function)

Press the **▶||** button. The power is turned on and play of the loaded disc begins.

If other than CD play is selected with the power on, one press of the **▶||** button selects the CD function and starts play.

### To select a track with the remote control

Press the numbered buttons and the +10 button to select a track.

Example:

To select the 25th track, press the +10, +10 and 5 buttons.

To select the 10th track, press the +10 and 0 buttons.

The selected track starts to play and play continues to the end of that disc.

### NOTE

- Do not use irregular shape CDs (example: heart-shaped, octagonal ones). It may result in malfunction.
- Do not place more than one compact disc in the disc compartment.
- Do not try to open the disc compartment during play.

## RANDOM PLAY

All the tracks on the disc can be played randomly.

**Press the RANDOM button on the remote control in stop mode to display "RAN".**

Press the ►|| button to start play.

**To cancel random play, press the RANDOM button again in stop mode.**

### NOTE

- Even if the ◀◀ button is pressed, a previously played track cannot be skipped. The unit returns to the beginning of the current track only.
- When you select a track with the numbered buttons on the remote control during the random play mode, the selected track starts to play and the random play mode is cancelled.

## REPEAT PLAY

One track, all the tracks or programmed tracks can be played repeatedly.

**Press the REPEAT button to display "REPEAT 1" or "REPEAT ALL".**

To repeat the current track only, display "REPEAT 1".

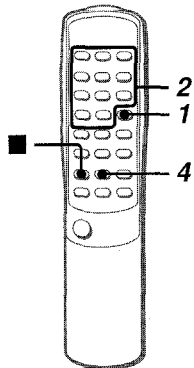
To repeat all the tracks, display "REPEAT ALL".

**To cancel repeat play, press the REPEAT button to turn off "REPEAT".**

**To repeat the desired tracks only, program the tracks and press the REPEAT button to display "REPEAT ALL".**

## PROGRAMMED PLAY

Up to 30 tracks can be programmed from the inserted disc.



Use the remote control.

### 1 Press the SET button in stop mode.

"M" flashes on the display.

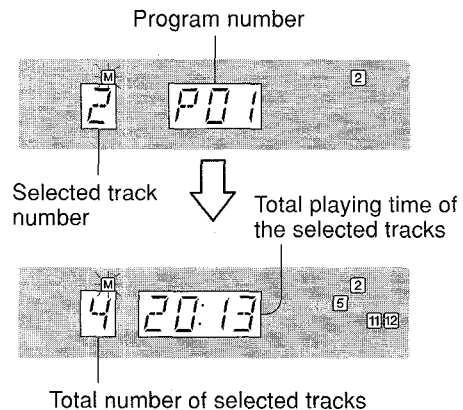


### 2 Press the numbered buttons and +10 button to program track.

Example:

To select the 12th track, press the +10 and 2 buttons.

To select the 20th track, press the +10, +10 and 0 buttons.



### 3 Repeat step 2 to program other tracks.

### 4 Press the ►|| button to start play.

#### To check the program

Each time the ►|| button on the main unit is pressed in stop mode, a track number and program number will be displayed.

#### To clear the program

Press the ■ button in stop mode.

#### To add tracks to the program

Before playing, repeat step 2. The track will be programmed after the last track.

#### To change the programmed tracks

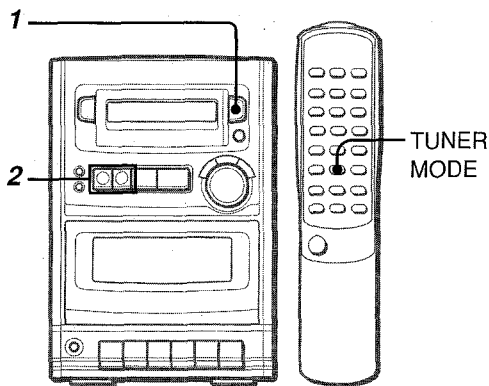
Clear the program and repeat all the steps again.

### NOTE

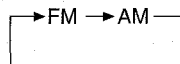
- During programmed play, the following operations cannot be performed.
  - Random play
  - One-track repeat (REPEAT 1)
- If the programmed time is more than 99:59 minutes, or the disc track number 31 or above is programmed, the display shows -:- as the total playing time.



## MANUAL TUNING



- 1 Press the **BAND** button repeatedly to select the desired band.



- 2 Press the **◀◀** or **▶▶** button to select a station. Each time the button is pressed, the frequency changes. When a station is tuned in, "TUNE" is displayed for a moment. During FM stereo reception, "STEREO" is displayed.



### To play a tuned station when the power is off (Direct Play Function)

Press the **BAND** button. The power is turned on and the tuned stations is played.

### To search for a station quickly (Auto Search)

Keep the **◀◀** or **▶▶** button pressed until the tuner starts searching for a station. After tuning in to a station, the search stops.

To stop the Auto Search manually, press the **◀◀** or **▶▶** button.

- The Auto Search may not stop at stations with very weak signals.

### When an FM stereo broadcast contains noise

Press the **TUNER MODE** button on the remote control.

"MONO" appears on the display.

Noise is reduced, although reception is monaural.

To restore stereo reception, repeat the above again.

### To change the AM tuning interval

The default setting of the AM tuning interval is 10 kHz/step. If you use this unit in an area where the frequency allocation system is 9 kHz/step, change the tuning interval.

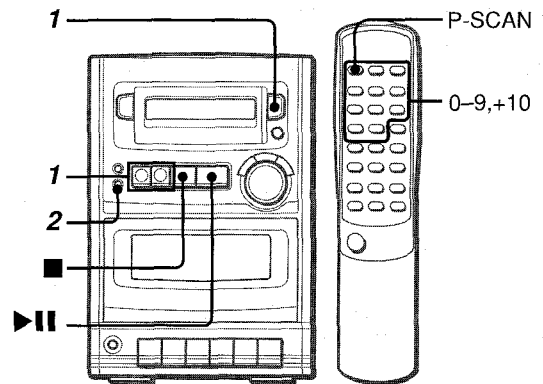
Press the **POWER** button while pressing the **BAND** button.

To reset the interval, repeat this procedure.

#### NOTE

When the AM tuning interval is changed, all preset stations (see "PRESETTING STATIONS") are cleared. The preset stations have to be set again.

## PRESETTING STATIONS

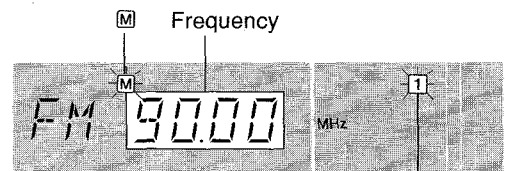


The unit can store a total of 32 preset stations. When a station is stored, a preset number is assigned to the station. Use the preset number to tune in to a preset station directly.

- 1 Press the **BAND** button to select a band. Then, press the **◀◀** or **▶▶** button to select a station.

- 2 Press the **SET** button to store the station.

A station is assigned a preset number, beginning from 1 in consecutive order for each band.



Preset number

- 3 Repeat steps 1 and 2.

#### NOTE

Each band can only store a maximum of 16 preset stations.

### To listen to preset stations

Use the remote control to select the preset number directly.

- 1 Press the **BAND** button to select a band.

- 2 Press the numbered buttons to select a preset number.

Example:

To select preset number 15, press the +10 and 5 buttons.

To select preset number 10, press the +10 and 0 buttons.

**When operating on the main unit, press the ■ button repeatedly.**

Each time the button is pressed, the next higher number is selected.

### To clear a preset station

Select the preset number of the station to be cleared. Then, press the **SET** button, and press the **▶▶** button within 4 seconds while the frequency flashes.

The preset numbers of all other stations in the band with higher numbers are also decreased by one.

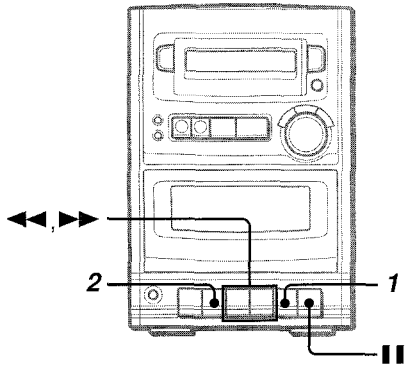
### To scan preset stations

Press the **P-SCAN** button on the remote control until "P.SCAN" is displayed. The preset stations are received in order for 5 seconds each. The preset number flashes during reception.

To stop scanning, press the **VOLUME** button.

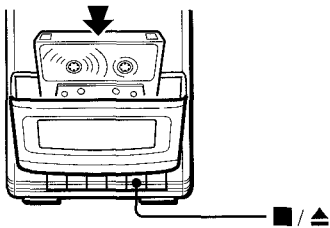


## PLAYING A TAPE



Use only type I (normal) tapes.

- 1 Press the **■/▲** button to open the cassette holder and insert a tape with the exposed side down. Push the cassette holder to close it.



- 2 Press the **▶** button.

TAPE function is selected and play begins.  
Only the side facing out from the unit can be played back.

**To stop play**, press the **■/▲** button.  
**To pause play**, press the **||** button. To resume play, press again.  
**To fast forward or rewind**, press the **◀◀** or **▶▶** button in stop mode. Then press the **■/▲** button to stop the tape.

### To start play when the power is off (Direct Play Function)

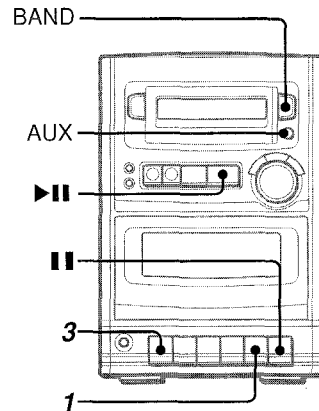
Press the **▶** button. The power is turned on and play of the inserted tape begins.

### About cassette tapes

- **120-minute or longer tapes** are extremely thin and easily deformed or damaged. They are not recommended.
- **Take up any slack** in the tape with a pencil or similar tool before use. Slack tape may break or jam in the mechanism.

## RECORDING

This section explains how to record from the tuner, CD player or other external equipment.



### Preparation

- Wind up the tape to the point recording starts.
- Note that recording is done on only one side of the tape.
- Use only type I (normal) tapes.

- 1 **Insert the tape to be recorded on into the deck.**  
Insert the tape with the side to be recorded on facing out from the unit and the exposed side down.

- 2 **Get the source ready for recording.**

**To record from a CD**, press the **▶||** button and load the disc.

**To record from a radio broadcast**, press the **BAND** button and tune in to a station.

**To record from a connected source**, press the **AUX** button and prepare the source for play.

En

- 3 **Press the ● button to start recording.**

The **▶** button is pressed simultaneously.

When the selected function is CD, playback and recording start simultaneously.

When the selected function is AUX, start playback manually.

**To stop recording**, press the **■/▲** button.

**To pause recording**, press the **||** button. To resume recording, press again.

**When the tape reaches its end**, the tape stops and the **●** button is released. During CD recording, CD play pauses automatically. Change the tape and press the **●** button, then CD play will automatically resume.

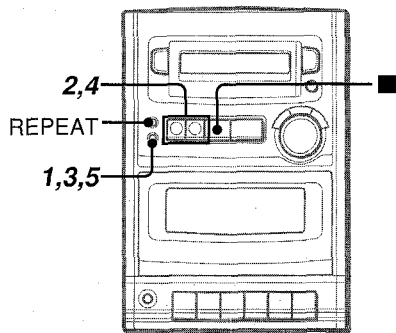
### To record the selected tracks of the CD

Program the tracks (see "PROGRAMMED PLAY") and press the **●** button.

### COPYRIGHT

Please check the laws on copyright relating to recordings from discs, radio or external tape for the country in which the machine is being used.

## SETTING THE CLOCK



When the AC cord is connected for the first time, the time on the display flashes.

Set the time as follows while the power is off.

### 1 Press the SET button.

The hour flashes.



### 2 Press the I◀◀ or ▶▶I button to designate the hour.

### 3 Press the SET button to set the hour.

The hour stops flashing and the minute starts flashing.

### 4 Press the I◀◀ or ▶▶I button to designate the minute.

### 5 Press the SET button to set the minute and complete setting.

The minute stops flashing on the display and the clock starts from 00 seconds.

#### To correct the current time

Press the POWER button to turn the unit off and press the SET button. Then, carry out steps 1 to 5 above.

#### To display the current time

Keep the ■ button pressed until the clock is displayed. The time is displayed for 4 seconds.

#### To switch to the 24-hour standard

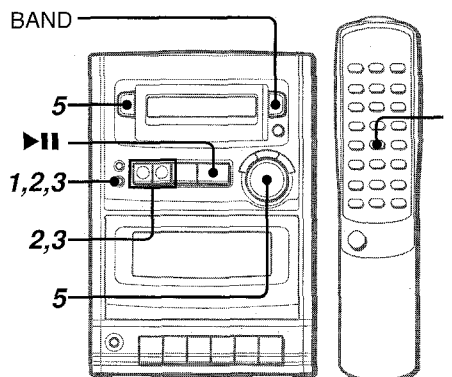
While the power is on, keep the ■ button pressed until the clock is displayed and then press the REPEAT button within 4 seconds. Repeat the same procedure to restore the 12-hour standard.

#### If the clock display flashes while the power is off

This is caused by a power interruption. The current time needs to be reset.

If power is interrupted for more than approximately 12 hours, all settings stored in memory after purchase need to be reset.

## SETTING THE TIMER



The unit can be turned on at a specified time with the built-in timer.

#### Preparation

Make sure the clock is set correctly.

### 1 Press the TIMER button on the remote control to display ☉, and press the SET button within 2 seconds.

☉ is displayed, and the hour flashes.



#### NOTE

If you do not press the SET button within 2 seconds, another operation may start.

### 2 Designate the hour of the timer-on time by pressing the I◀◀ or ▶▶I button, and press the SET button. Repeat to designate the minute of the timer-on time.

### 3 Select the duration for the timer-activated period with the I◀◀ or ▶▶I button and press the SET button.



The duration for the timer-activated period can be set between 5 and 240 minutes in 5-minute steps.

### 4 Prepare the source.

To listen to a CD, press the ▶II button and load the disc. To listen to the radio, press the BAND button and tune in to a station.

### 5 Press the POWER button to turn the unit off after adjusting the volume.

☉ remains on the display after the power is turned off (timer standby mode).

When the timer-on time is reached, the unit turns on and begins play with the selected source.

• You cannot set the volume level to 21 or higher.

### To check the specified time

Press the TIMER button on the remote control. The timer-on time flashes for 2 seconds. However, the duration for the timer-activated period will not be displayed.

### To cancel timer standby mode temporarily

Press the TIMER button on the remote control twice to turn off ⊕.

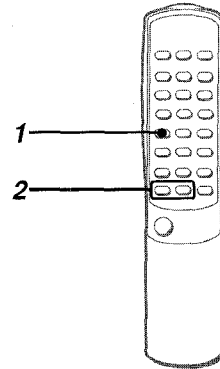
### Using the unit while the timer is set

You can use the unit normally after setting the timer. Before turning off the power, repeat step 4 to prepare the source, and adjust the volume.

#### NOTE

- Timer playback will not begin unless the power is turned off.
- Connected equipment cannot be turned on and off by the built-in timer of this unit. Use an external timer.
- When power is interrupted, ⊕ display disappears and the clock flashes. Reset the clock and set the timer again.

## SETTING THE SLEEP TIMER



The unit can be turned off automatically at a specified time.

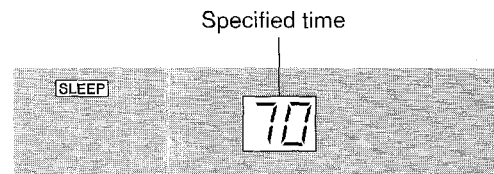
Use the remote control.

### 1 Press the SLEEP button.



### 2 Within 4 seconds, press the ◀◀ or ▶▶ button to specify the time until the power is turned off.

Each time the button is pressed, the time changes between 5 and 240 minutes in 5-minute steps.



### To check the time remaining until the power is turned off

Press the SLEEP button once. The remaining time is displayed for 4 seconds.

### To cancel the sleep timer

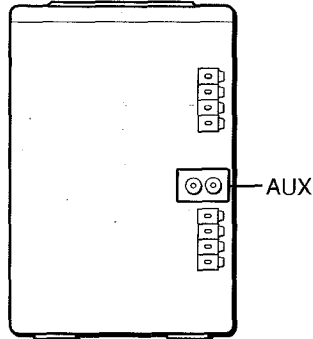
Press the SLEEP button twice so that "SLEEP" on the display disappears.

#### NOTE

If the unit is turned off during tape playback, the ▶ button is kept pressed. Press the ■/▲ button to release the ▶ button.

## CONNECTING OPTIONAL EQUIPMENT

### CONNECTING TO AUX JACKS



Sound signals can be input to this unit through the AUX jacks. Use a cable with RCA phono plugs to connect equipment (turntables, LD players with analog output jacks, DAT decks, MD players, VCRs, TVs, etc.). Connect the red plug to the R jack, and the white plug to the L jack.

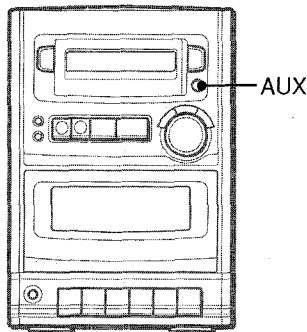
Refer to the operating instructions of the connected equipment for details.

- The connecting cords are not supplied. Obtain the necessary connecting cords.
- Consult your local Aiwa dealer for recommended equipment.

#### When connecting a turntable

Use an Aiwa turntable equipped with a built-in equalizer amplifier.

### LISTENING TO EXTERNAL SOURCES



To play equipment connected to the AUX jacks, press the AUX button and start play. "AUX" appears on the display.

## CARE AND MAINTENANCE

Occasional care and maintenance of the unit and the software are needed to optimize the performance of your unit.

#### To clean the cabinet

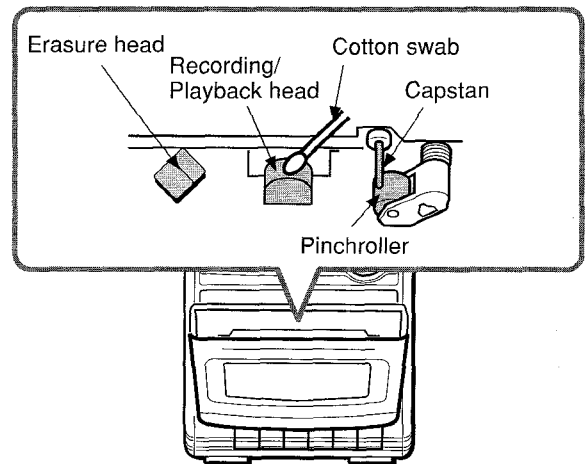
Use a soft and dry cloth.

If the surfaces are extremely dirty, use a soft cloth lightly moistened with mild detergent solution. Do not use strong solvents, such as alcohol, benzene or thinner as these could damage the finish of the unit.

#### To clean the heads and tape paths

After every 10 hours of use, clean the heads and tape paths with a head cleaning cassette or cotton swab moistened with cleaning fluid or denatured alcohol. (These cleaning kits are commercially available.)

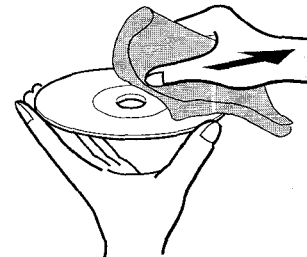
When cleaning with a cotton swab, wipe the recording/playback head, erasure head, capstan, and pinchroller.



After cleaning the heads and tape paths with a head cleaning cassette or a moistened swab, wait until the cleaned parts are completely dry before inserting the tapes.

#### Care of discs

- When a disc becomes dirty, wipe the disc from the center out with a cleaning cloth.



- After playing a disc, store the disc in its case. Do not leave the disc in places that are hot or humid.

#### Care of tapes

- Store tapes in their cases after use.
- Do not leave tapes near magnets, motors, television sets, or any source of magnetism. This will downgrade the sound quality and cause noise.
- Do not expose tapes to direct sunlight, or leave them in a car parked in direct sunlight.

# SPECIFICATIONS

## Main unit

### FM tuner section

Tuning range	87.5 MHz to 108 MHz
Antenna terminals	75 ohms (unbalanced)

### AM tuner section

Tuning range	530 kHz to 1710 kHz (10 kHz step) 531 kHz to 1602 kHz (9 kHz step)
Antenna	Loop antenna

### Amplifier section

Power output	5 W + 5 W (1 kHz, T.H.D. 10 %, 4 ohms) 3.5 W + 3.5 W (100 – 15 kHz, T.H.D. less than 1 %, 4 ohms)
--------------	--

### Cassette deck section

Track format	4 tracks, 2 channels stereo
Frequency response	Normal tape: 50 Hz – 12500 Hz
Recording system	AC bias
Erase system	Magnet erase
Heads	Recording/playback head × 1 Erase head × 1

### Compact disc player section

Laser	Semiconductor laser ( $\lambda = 780 \text{ nm}$ )
D-A converter	1 bit dual
Wow and flutter	Unmeasurable

### Speaker system

Speakers	100 mm (4 in.) cone type, 4 ohms
Dimensions (W × H × D)	150 × 236.2 × 210.5 mm (6 × 9 <sup>3</sup> / <sub>8</sub> × 8 <sup>3</sup> / <sub>8</sub> in.)
Weight	1.1 kg (2 lbs 7 oz.)

### General

Power requirements	120 V AC, 60 Hz
Power consumption	22 W
Dimensions of main unit (W × H × D)	160 × 236.2 × 209.3 mm (6 <sup>3</sup> / <sub>8</sub> × 9 <sup>3</sup> / <sub>8</sub> × 8 <sup>1</sup> / <sub>4</sub> in.)
Weight of main unit	2.6 kg (5 lbs 12 oz.)

Specifications and external appearance are subject to change without notice.

## NOTE

This equipment has been tested and found to comply with the limits for a Class B digital device, pursuant to Part 15 of the FCC Rules. These limits are designed to provide reasonable protection against harmful interference in a residential installation.

This equipment generates, uses, and can radiate radio frequency energy and, if not installed and used in accordance with the instructions, may cause harmful interference to radio communications. However, there is no guarantee that interference will not occur in a particular installation. If this equipment does cause harmful interference to radio or television reception, which can be determined by turning the equipment off and on, the user is encouraged to try to correct the interference by one or more of the following measures:

- Reorient or relocate the receiving antenna.
- Increase the separation between the equipment and receiver.
- Connect the equipment into an outlet on circuit different from that to which the receiver is connected.
- Consult the dealer or an experienced radio/TV technician for help.

## CAUTION

Modifications or adjustments to this product, which are not expressly approved by the manufacturer, may void the user's right or authority to operate this product.

# TROUBLESHOOTING GUIDE

If the unit fails to perform as described in these Operating Instructions, check the following guide.

## GENERAL

### There is no sound.

- Is the AC cord connected properly?
- Is there a bad connection? (→ page 3)
- Was an incorrect function button pressed?

### The sound becomes inaudible.

- There may be a short circuit in the speaker terminals.  
→ Disconnect the AC cord from the AC outlet and re-connect the speaker cords correctly. Then connect the AC cord and turn the unit on again.

### Sound is emitted from one speaker only.

- Is the other speaker disconnected?

## TUNER SECTION

### There is constant, wave-like static.

- Is the antenna connected properly? (→ page 3)

### The reception contains noise interferences or the sound is distorted.

- Is the system picking up external noise or multipath distortion?  
→ Change the orientation of the antenna.  
→ Move the unit away from other electrical appliances.

## CASSETTE DECK SECTION

### The tape does not run.

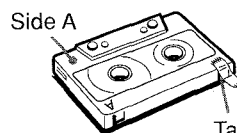
- Is the deck in pause mode? (→ page 8)

### The sound is off-balance or not adequately high.

- Is the playback head dirty? (→ page 11)

### Recording is not possible.

- If the tab on a cassette broken off, cover the hole with adhesive tape.



- Is the recording head dirty? (→ page 11)

### Erase is not possible.

- Is the erasure head dirty? (→ page 11)
- Is a CrO<sub>2</sub> or metal tape being used?

### High frequency sound is not emitted.

- Is the recording/playback head dirty? (→ page 11)

## CD PLAYER SECTION

### The CD player does not play.

- Is the disc correctly loaded? (→ page 5)
- Is the disc dirty? (→ page 11)
- Is the lens affected by condensation?  
→ Wait approximately one hour and try again.

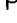
## CLOCK AND TIMER SECTION

### Timer setting is not possible.

- Does the clock flash on the display?  
→ Reset the clock. (→ page 9)

### To reset

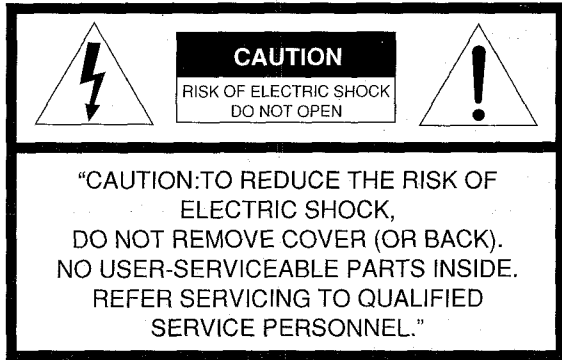
If an unusual condition occurs in the display window or the cassette decks, reset the unit as follow.

- 1 Press the POWER button to turn off the power.
- 2 Press the POWER button to turn the power back on while pressing the  button. Everything stored in memory after purchase is canceled.

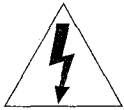
If the power cannot be turned off in step 1 because of a malfunction, reset by disconnecting the AC cord and repeat step 2.

**ADVERTENCIA**

PARA REDUCIR EL RIESGO DE INCENDIOS O DESCARGAS ELÉCTRICAS, NO EXPONGA ESTE APARATO A LA LLUVIA NI A LA HUMEDAD.



**Explicación de los símbolos gráficos:**



El símbolo del rayo con punta de flecha dentro de un triángulo equilátero tiene como fin alertar al usuario de la presencia de un "voltaje peligroso" sin aislar en el interior de la estructura de la unidad y que puede tener la magnitud suficiente como para constituir un riesgo de descarga eléctrica para las personas.



El signo de exclamación situado en el interior de un triángulo equilátero tiene como fin alertar al usuario de la presencia de instrucciones de operación y mantenimiento (servicio) importantes en la documentación que acompaña al aparato.

**PRECAUCIONES**

Lea cuidadosamente y en su entera comprensión el Manual de Instrucciones antes de utilizar la unidad. Asegúrese de guardar el Manual de Instrucciones para utilizarlo como referencia en el futuro. Deberán cumplirse estrictamente todas las advertencias y precauciones del Manual de Instrucciones y de la unidad, así como las sugerencias de seguridad mencionadas a continuación.

**Instalación**

- 1 Agua y humedad** — No utilice esta unidad cerca del agua, como al lado de una bañera, lavabo, una piscina, o similar.
- 2 Calor** — No utilice esta unidad cerca de fuentes de calor, incluyendo salidas de aire caliente, estufas u otros aparatos que generen calor. Tampoco deberá someterse a temperaturas inferiores a 5°C ni superiores a 35°C.
- 3 Superficie de montaje** — Sitúe la unidad sobre una superficie plana y nivelada.
- 4 Ventilación** — La unidad deberá situarse en un lugar en el cual exista suficiente holgura a su alrededor para poder garantizar una ventilación adecuada. Deje una holgura de 10 cm desde la parte posterior y superior de la unidad y 5 cm desde cada lado a cualquier otro objeto.
  - No ponga la unidad sobre una cama, una alfombra o superficies similares que puedan obstruir las aberturas de ventilación.
  - No instale la unidad en una librería, mueble o estantería cerrada herméticamente donde la ventilación no sea la adecuada.
- 5 Entrada de objetos y líquidos** — Tenga cuidado de que objetos y líquidos no entren en la unidad a través de las aberturas de ventilación.
- 6 Estantes fijos y con ruedas** — Cuando coloque o monte la unidad en un estante fijo o con ruedas, tenga mucho cuidado al moverla a otro lugar. Las paradas repentinas, la fuerza excesiva y las superficies irregulares pueden hacer que la unidad o el estante con ruedas dé vuelta o se caiga.



- 7 Condensación** — Puede formarse condensación en la lente del fonocaptor del reproductor de discos compactos cuando:
  - La unidad pase de un lugar frío a uno caliente.
  - El sistema de calefacción se acabe de encender.
  - La unidad se utilice en una habitación muy húmeda.
  - La unidad se enfríe mediante aire acondicionado.
 Esta unidad puede no funcionar debidamente cuando se forme condensación en su interior. En este caso, deje en reposo la unidad unas pocas horas y repita de nuevo la operación.
- 8 Montaje en pared o techo** — No ha de montarse la unidad en una pared ni en el techo, a menos que se especifique lo contrario en el Manual de Instrucciones.

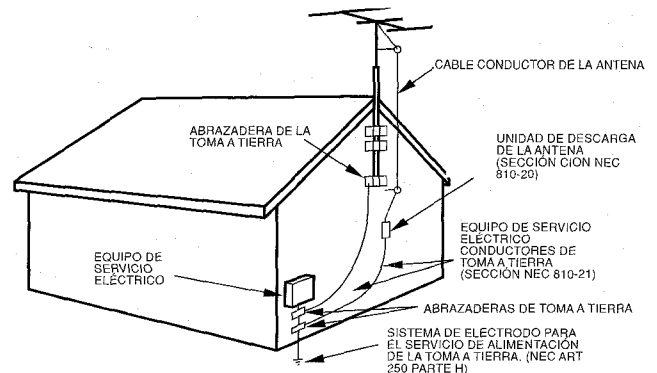
**Energía Eléctrica**

- 1 Fuentes de alimentación** — Conecte solamente esta unidad a las fuentes de alimentación especificadas en el Manual de Instrucciones y como está marcado en la unidad.
- 2 Polaridad** — Como medida de seguridad, algunas unidades están equipadas con enchufes de alimentación de CA que únicamente pueden ser insertados de una forma en la toma de corriente. Si es difícil o imposible insertar el enchufe CA en la toma, dé la vuelta al enchufe e inténtelo de nuevo. Si aún no resulta posible insertarlo en la toma, le rogamos que se dirija a un técnico de servicio cualificado para que inspeccione o cambie la toma. Para evitar obviar la función de seguridad del enchufe polarizado, no lo fuerce hacia el interior de la toma.
- 3 Cable de alimentación de CA**
  - Cuando desconecte el cable de alimentación, tire del enchufe. No tire del propio cable.
  - Nunca manipule el enchufe con las manos mojadas ya que podría producirse un incendio o una descarga eléctrica.
  - Los cables de alimentación deberán colocarse de forma que no queden muy doblados, prensados y que nadie pueda pisarlos. Preste especial atención al cable que va de la unidad a la toma de corriente.
  - Evite sobrecargar los enchufes de CA y los cables de extensión más allá de su capacidad porque esto podría causar un incendio o una descarga eléctrica.
- 4 Cable de extensión** — Para evitar una descarga eléctrica, no utilice un enchufe polarizado de CA con un cable de extensión, receptáculo u otra toma de corriente a menos que el enchufe polarizado pueda ser completamente insertado para prevenir la exposición de las clavijas del enchufe.
- 5 Periodos de no utilización** — Desconecte el cable de alimentación de CA si la unidad no va a ser utilizada durante varios meses o más. Cuando el cable de alimentación esté conectado, por la unidad continuará circulando una pequeña cantidad de corriente, aunque la alimentación esté desconectada.

**Antena Exterior**

- 1 Líneas de alimentación** — Cuando conecte una antena exterior, asegúrese de que está ubicada lejos de otros cables de alimentación.
- 2 Toma a tierra de la antena exterior** — Asegúrese de que el sistema de la antena tenga una correcta toma a tierra para ofrecer protección contra inesperadas sacudidas de tensión descargas de voltaje inesperadas o acumulación de electricidad estática. El artículo 810 del National Electrical Code, ANSI-NFPA70, provee información sobre la forma adecuada de realizar una toma a tierra del poste, de la estructura de soporte y del cable conductor a la unidad de descarga de la antena, así como sobre el tamaño de la unidad de la toma a tierra, conexiones a las terminales de la toma a tierra y requisitos de las terminales de la toma a tierra.

Toma a tierra de acuerdo con el National Electrical Code (Código Nacional de Electricidad)



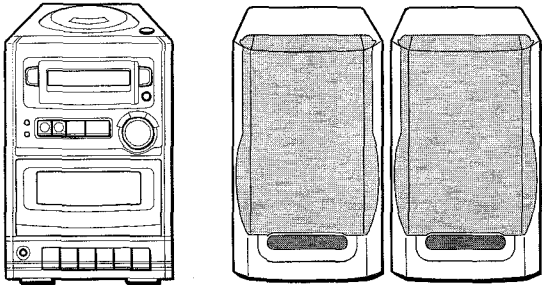
NEC - CÓDIGO ELÉCTRICO NACIONAL

# Bienvenido al Sistema Estéreo Aiwa

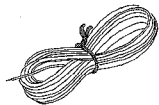
Enhorabuena por haber adquirido un sistema estereo Aiwa. Para optimizar la función de este sistema, por favor tómese el tiempo para leer estas Manual de Instrucciones y familiarícese con los procedimientos de operación.

## Verifique su sistema y accesorios

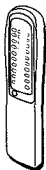
LCX-150/LCX-151  
Sistema estereo con reproductor de discos compactos



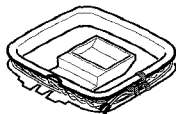
Antena FM



Control remoto



Antena AM



Manual de Instrucciones, etc.

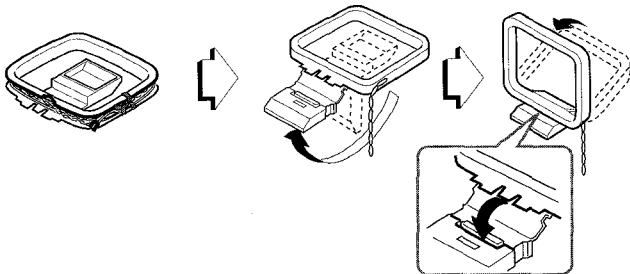
## Registro del propietario

Para su conveniencia, anote el número del modelo y de serie (los encontrará en la parte trasera del aparato) en el espacio propuesto más abajo. Por favor refiérase a ellos cuando contacto con su distribuidor Aiwa en caso de alguna dificultad.

Nº. Modelo	Nº. Serie (Nº. Lote)
LCX-150U/LCX-151U	

## Para poner la antena de AM sobre una superficie

Fije el gancho en la ranura.



# ÍNDICE

## PREPARACIONES

PRECAUCIONES .....	1
CONEXIONES .....	3
ANTES DE LA OPERACION .....	4

## SONIDO

AJUSTE DEL SONIDO .....	4
-------------------------	---

## REPRODUCCIÓN DE DISCOS COMPACTOS

REPRODUCCIÓN DE UN DISCO COMPACTO .....	5
---	---

## RECEPCIÓN DE LA RADIO

SINTONIZACIÓN MANUAL .....	7
PREAJUSTE DE EMISORAS .....	7

## REPRODUCCIÓN DE CINTAS

REPRODUCCIÓN DE UNA CINTA .....	8
---------------------------------	---

## GRABACIÓN

GRABACIÓN .....	8
-----------------	---

## RELOJ Y TEMPORIZADOR

AJUSTE DEL RELOJ .....	9
AJUSTE DEL TEMPORIZADOR .....	9
AJUSTE DEL TEMPORIZADOR DE APAGADO .....	10

## OTRAS CONEXIONES

CONEXIÓN DE UN EQUIPO OPCIONAL .....	11
--------------------------------------	----

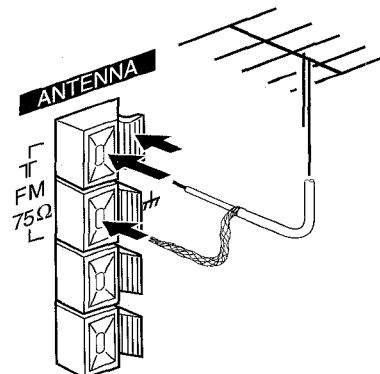
## GENERALIDADES

CUIDADO Y MANTENIMIENTO .....	11
ESPECIFICACIONES .....	12
GUÍA PARA LA SOLUCIÓN DE PROBLEMAS .....	12
ÍNDICE DE LAS PARTES .....	Última página

## Conexión de una antena exterior;

Para obtener la mejor recepción de FM se recomienda utilizar una antena exterior.

Conecte la antena exterior a las terminales FM 75 Ω .



# CONEXIONES

## Antes de conectar el cable de alimentación de CA

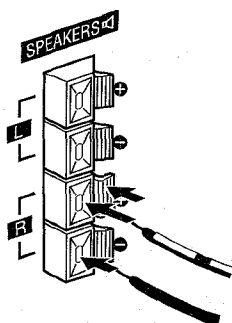
La tensión nominal de su unidad indicada en el panel posterior es de 120V CA. Compruebe que esta tensión coincide con la de la red local.

### IMPORTANTE

- Conecte primero los altavoces, antenas y todos los demás equipos opcionales. Luego conecte el cable de alimentación.
- No existen diferencias entre los altavoces frontales. Ambos altavoces pueden ser conectados como L (izquierdo) o R (derecho).

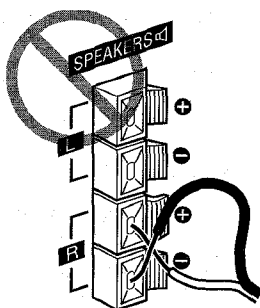
## 1 Conecte los cables del altavoz a la unidad principal.

Los cables con las franjas blancas deberán conectarse a las terminales  $\oplus$  y los otros cables a las terminales  $\ominus$ .



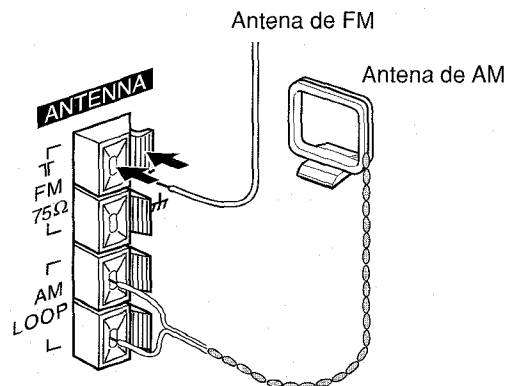
### NOTA

No realice un cortocircuito entre los cables  $\oplus$  y  $\ominus$  de los altavoces ya que el sonido puede ser inaudible. Si esto ocurriese, desconecte el cable de CA de la toma y reconecte el cable del altavoz correctamente. Conecte entonces el cable de CA y encienda la unidad de nuevo.



## 2 Conecte las antenas suministradas.

Conecte la antena de FM a las terminales FM 75  $\Omega$  y la antena de AM a las terminales de AM LOOP.



## 3 Conecte el cable de alimentación de C.A. a una toma C.A.

### Para posicionar las antenas.

#### Antena FM:

Extienda esta antena y cambie la dirección y el ángulo de forma que encuentre la mejor recepción.

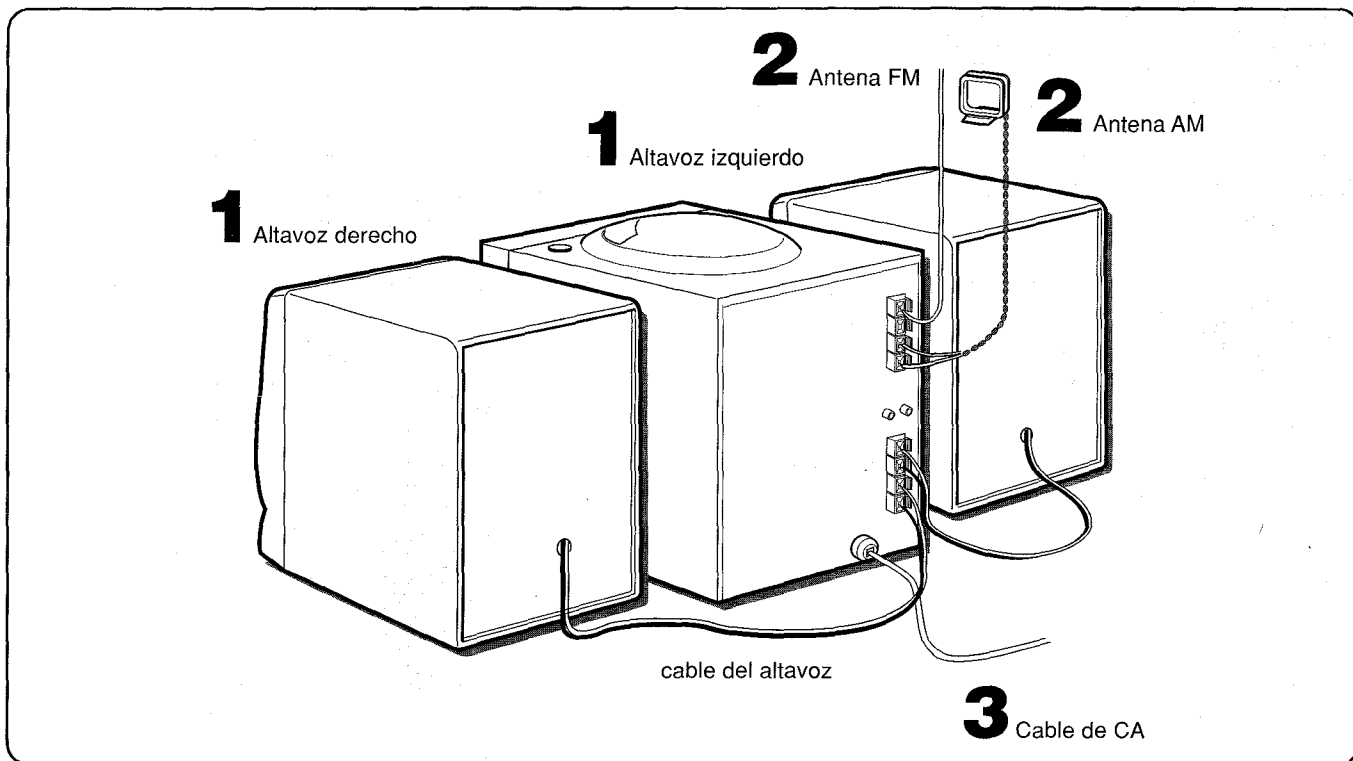
#### Antena AM:

Colóquela de manera que encuentre la mejor dirección.

### NOTA

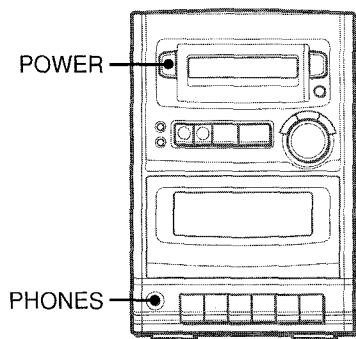
- No deje objetos que generen magnetismo cerca de los altavoces.
- No ponga la antena de FM cerca de objetos metálicos o rieles de cortinas.
- No ponga la antena de AM cerca de otros equipos opcionales, el propio sistema estéreo, el cable de alimentación de CA o los cables de los altavoces, ya que se captarán ruidos.
- No desbobine el cable de la antena de AM.

Para conectar otro equipo opcional → página 11.





## ANTES DE LA OPERACIÓN



### Para encender la unidad

Presione el botón POWER.

### Después del uso

Presione el botón POWER para desconectar la alimentación. La pantalla pasará a ser la del reloj.

### Uso de los auriculares

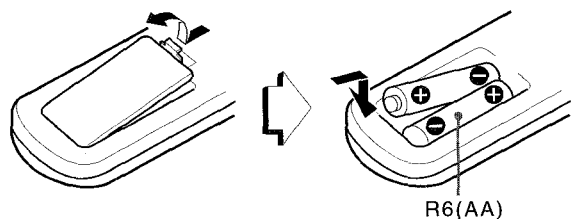
Conecte los auriculares a la toma PHONES con un miniconector estéreo (ø3.5 mm).

Mientras los auriculares estén conectados no saldrá sonido de los altavoces.

## CONTROL REMOTO

### Inserción de las baterías en el control remoto

Quite la tapa de las baterías, ubicada en la parte trasera del control remoto, e inserte dos baterías de R6 (tamaño AA).



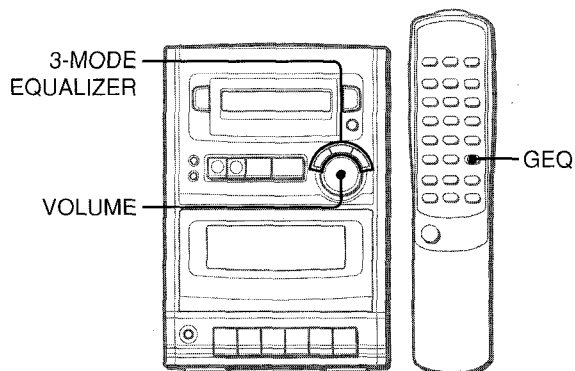
### Cuándo reemplazar las baterías

La distancia máxima de operación entre el control remoto y el sensor de señales de la unidad principal debería ser de 5 metros aproximadamente. Cuando disminuya esta distancia, reemplace las baterías por otras nuevas.

### NOTA

- Si la unidad no va a ser utilizada durante un largo período, quite las baterías para evitar posibles fugas de electrolito.
- El control remoto quizá no funcione correctamente cuando:
  - La línea de visión entre el control remoto y el sensor remoto (situado en el botón POWER) quede expuesta a una luz intensa como la luz directa del sol.
  - Otros controles remotos (de un televisor, etc.) estén siendo utilizados cerca de esta unidad.

## AJUSTE DEL SONIDO



SONIDO

## AJUSTE DEL VOLUMEN

### Presione el control VOLUME.

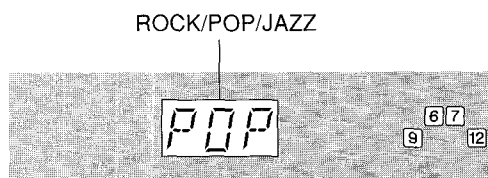
Presione el lado más alto para aumentar el volumen y el lado más bajo para disminuirlo.

El nivel del volumen se muestra en la pantalla durante 4 segundos. Puede configurarse de 0 (mínimo) a 30 y hasta MAX (máximo).

El volumen permanece en memoria incluso después de apagar el aparato. No obstante, si se apaga cuando el volumen está configurado a más de 20, se configurará automáticamente en 20 la próxima vez que se encienda el aparato.

## ECUALIZADOR GRÁFICO

### Presione uno de los botones 3-MODE EQUALIZER.



**ROCK:** Sonido potente que realza los agudos y los graves.

**POP:** Más presencia de voces y en la gama de registro medio.

**JAZZ:** Sonido enriquecido con los graves fuertes y los agudos finos.

### Para cancelar el modo seleccionado

Presione de nuevo el botón seleccionado.

### Utilizando el control remoto

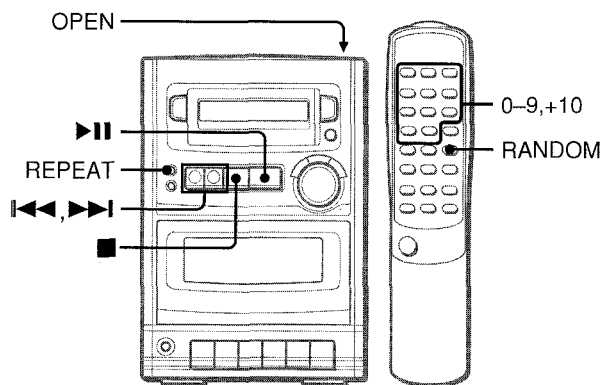
Presione el botón GEQ hasta que se visualice el modo de ecualización deseado.

El modo de ecualización cambia cíclicamente a ROCK, POP, JAZZ o a ninguna ecualización.

## AJUSTE DEL SONIDO DURANTE LA GRABACIÓN

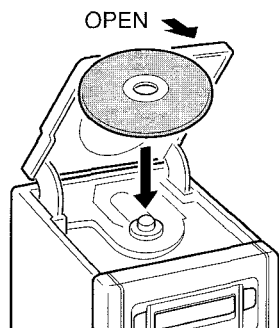
La salida de volumen y tono de los altavoces o auriculares pueden variarse libremente sin afectar al nivel de la grabación.

# REPRODUCCIÓN DE UN DISCO COMPACTO



## INTRODUCCIÓN DE UN DISCO

Presione la marca **OPEN** para abrir el compartimiento del disco. Introduzca un disco con el lado de la etiqueta hacia arriba y cierre el compartimiento del disco.



## REPRODUCCIÓN DE UN DISCO

Introduzca un disco.

Presione el botón **▶||**.

Se inicia la reproducción comenzando por la primera pista.



Número de la pista que está siendo reproducida.

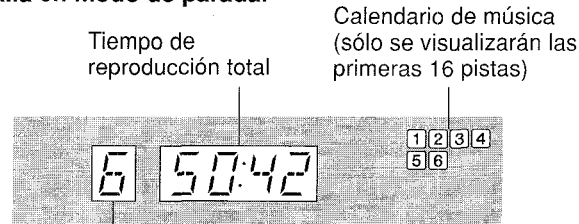
Para detener la reproducción, presione el botón **■**.

Para hacer una pausa en la reproducción, presione el botón **▶||**. Para reanudar la reproducción, púlselo de nuevo.

Para buscar un punto particular durante la reproducción, mantenga pulsado el botón **◀◀** o **▶▶** y suéltelo en el punto deseado.

Para saltar hasta el principio de una pista durante la reproducción, presione repetidamente el botón **◀◀** o **▶▶**.

Pantalla en modo de parada.



Número total de pistas

**Para iniciar la reproducción cuando la alimentación esté desconectada (Función de Reproducción Directa)**

Presione el botón **▶||**. La alimentación se conectará y comenzará la reproducción del disco introducido.

Si se ha seleccionado una reproducción que no sea la del CD con el aparato encendido, presionando una vez el botón **▶||** se seleccionará la función de CD, iniciándose la reproducción.

**Selección de una pista con el control remoto**

Presione los botones numéricos y el botón +10 para seleccionar una pista.

Ejemplo:

Para seleccionar la pista nº 25, presione los botones +10, +10 y 5.

Para seleccionar la pista nº 10, presione los botones +10 y 0.

La pista seleccionada empezará a reproducirse y la reproducción continuará hasta que termine el disco.

### NOTA

- No utilice CDs de forma irregular (p. ej.: en forma de rombo u octogonales). Pueden ocasionar un mal funcionamiento.
- No cargue más de un disco compacto en el compartimiento de discos.
- No intente abrir el compartimiento de los discos durante la reproducción.

## REPRODUCCIÓN ALEATORIA

Todas las pistas del disco pueden reproducirse de forma aleatoria.

**Presione el botón RANDOM del control remoto en el modo de parada para que se visualice "RAN".**

Presione el botón ►|| para iniciar la reproducción.

**Para cancelar la reproducción aleatoria,** Presione de nuevo el botón RANDOM en el modo de parada.

### NOTA

- Aunque se presione el botón ◀◀, una pista previamente reproducida no podrá ser omitida. La unidad solamente volverá al principio de la pista actual.
- Cuando seleccione una pista con los botones numerados del control remoto durante la reproducción aleatoria, comenzará a reproducirse la pista seleccionada, cancelándose así el modo de reproducción aleatoria.

## REPETICIÓN DE LA REPRODUCCIÓN

Pueden ser reproducidas repetidamente una pista, todas las pistas o las pistas programadas.

**Presione el botón REPEAT para visualizar "REPEAT 1" o "REPEAT ALL".**

Para repetir solamente la pista actual, haga aparecer en pantalla "REPEAT 1".

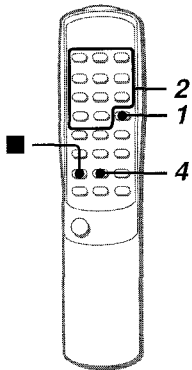
Para repetir todas las pistas, haga aparecer en pantalla "REPEAT ALL".

**Para cancelar la repetición, presione el botón REPEAT para eliminar "REPEAT" de la pantalla.**

**Para repetir solamente las pistas deseadas,** programe las pistas y presione el botón REPEAT para que se visualice "REPEAT ALL".

## REPRODUCCIÓN PROGRAMADA

Se podrán programar un máximo de 30 pistas del disco introducido.



Use el control remoto.

### 1 Presione el botón SET en modo de parada.

"M" parpadeará en la pantalla.

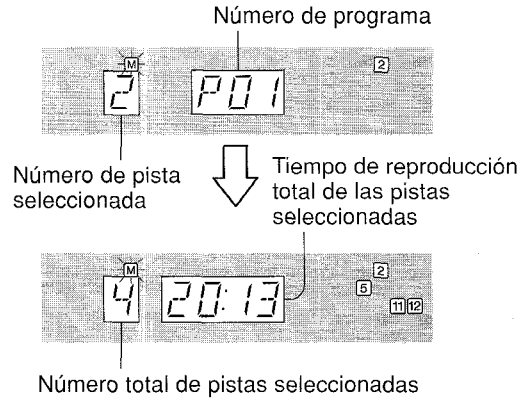


### 2 Presione los botones numéricos y el botón +10 para programar una pista.

**Ejemplo:**

Para seleccionar la pista nº 12, presione los botones +10, y 2.

Para seleccionar la pista nº 20, presione los botones +10, +10 y 0.



### 3 Repita el paso 2 para programar otras pistas

### 4 Presione el botón ►|| para iniciar la reproducción.

#### Para comprobar el programa

Cada vez que se presione en modo de parada el botón ►|| de la unidad principal, se visualizarán un número de pista y un número de programa.

#### Para borrar el programa

Presione el botón ■ en el modo de parada.

#### Para añadir pistas al programa

Antes de reproducir, repita el paso 2. La pista se programará después de la última pista.

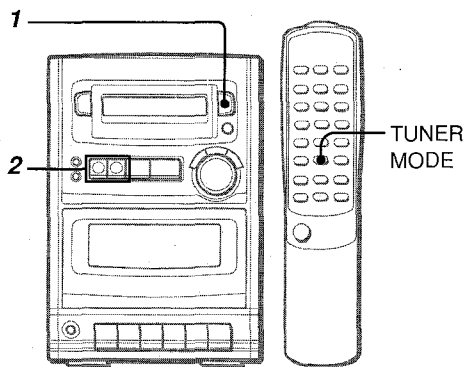
#### Para cambiar las pistas programadas

Borre el programa y repita todos los pasos de programación.

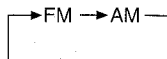
### NOTA

- Durante la reproducción programada no se pueden realizar las siguientes operaciones.
  - Reproducción aleatoria
  - Repetición de una pista (REPEAT 1)
- Si el tiempo programado es superior a 99:59 minutos, o se ha programado la pista número 31 o superior del disco, se visualizará -:- como tiempo total de reproducción.

## SINTONIZACIÓN MANUAL

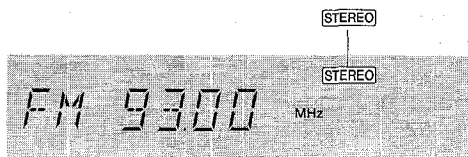


**1 Presione el botón BAND repetidamente para seleccionar la banda deseada.**



**2 Presione el botón ◀◀ o ▶▶ para seleccionar una emisora.**

Cada vez que presione el botón, la frecuencia cambiará. Cuando se reciba una emisora, se visualizará "TUNE" durante un momento. Durante la recepción estéreo en FM, se visualizará "STEREO".



**Para reproducir una emisora previamente sintonizada cuando el aparato esté apagado (Función de Reproducción Directa)**

Presione el botón BAND. Se encenderá el aparato y se escuchará la emisora previamente sintonizada.

**Para buscar rápidamente una emisora (Búsqueda Automática)**

Mantenga pulsado el botón ◀◀ o ▶▶ hasta que el sintonizador empiece a buscar una emisora. Después de sintonizar una emisora, se detendrá la búsqueda.

Para detener manualmente la Búsqueda Automática, presione el botón ◀◀ o ▶▶.

• La Búsqueda Automática puede no detenerse en estaciones cuyas señales sean muy débiles.

**Cuando una emisión en FM estéreo contenga ruido**

Presione el botón TUNER MODE del control remoto.

"MONO" aparecerá en la pantalla.

El ruido se reduce aunque la recepción sea monoaural.

Para restaurar la recepción estéreo, presione de nuevo los botones.

**Para cambiar el intervalo de sintonización de AM**

El ajuste por omisión del intervalo de sintonización de AM es de 10 kHz/paso. Si utiliza esta unidad en una zona en la cual el sistema de asignación de frecuencias sea de 9 kHz/paso, cambie el intervalo de sintonización.

Presione el botón POWER mientras presiona el botón BAND.

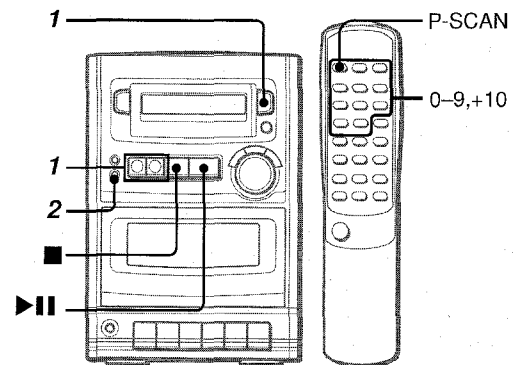
Para resetear el intervalo, repita este procedimiento.

### NOTA

Cuando se cambie el intervalo de sintonización de AM, (véase "PREAJUSTE DE EMISORAS"), se borrarán todas las emisoras preajustadas. Las emisoras preajustadas tendrán que ajustarse de nuevo.

7 ESPAÑOL

## PREAJUSTE DE EMISORAS

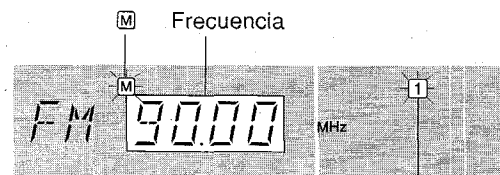


La unidad puede memorizar un total de 32 emisoras. Cuando se memoriza una emisora, a esa emisora se le asignará un número de preajuste. Utilice el número de preajuste para sintonizar directamente una emisora preajustada.

**1 Presione el botón BAND para seleccionar una banda y presione el botón ◀◀ o ▶▶ para seleccionar una emisora.**

**2 Presione el botón SET para almacenar la emisora.**

A las emisoras de cada banda se les asigna un número de preajuste en orden consecutivo empezando por el 1.



Número de preajuste

**3 Repita los pasos 1 y 2.**

### NOTA

Cada banda sólo puede almacenar un máximo de 16 emisoras preajustadas

**Para escuchar emisoras preajustadas**

Utilice el control remoto para seleccionar directamente el número de preajuste.

**1 Presione el botón TUNER para seleccionar una banda.**

**2 Presione los botones numéricos para seleccionar un número preajustado.**

Ejemplo:

Para seleccionar la pista nº 15, presione los botones +10 y 5.

Para seleccionar la pista nº 10, presione los botones +10 y 0.

**Cuando esté operando desde la unidad principal, presione el botón ■ repetidamente.**

Cada vez que se presione el botón, se seleccionará la emisora con el número inmediatamente superior.

**Para borrar una emisora preajustada**

Seleccione el número de memorización de la emisora que desee borrar. Tras ello, presione el botón SET y el botón ▶▶ antes de que transcurran 4 segundos mientras parpadea la frecuencia.

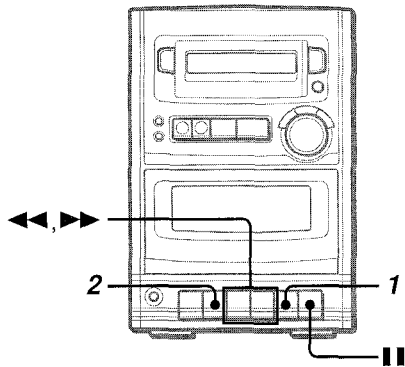
Los números de preajuste del resto de las emisoras con numeraciones más altas disminuyen en una unidad.

**Para escanear las emisoras memorizadas**

Presione el botón P-SCAN del control remoto hasta que se visualice "P-SCAN". Se reciben en orden las emisoras memorizadas durante 5 segundos cada una de ellas. El número preajustado parpadea durante la recepción.

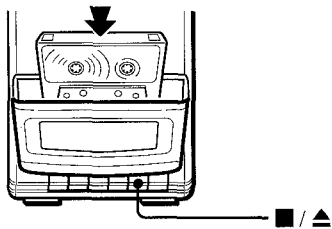
Para detener el escaneo, presione el botón VOLUME.

## REPRODUCCIÓN DE UNA CINTA



Use únicamente cintas tipo I (normal).

- 1 Presione el botón **■/▲** para abrir el portacasete e introduzca una cinta con el lado expuesto hacia abajo. Empuje el portacasete para cerrarlo.



- 2 Presione el botón **▶**.

Se selecciona la función TAPE y la reproducción comenzará. Sólo se puede reproducir la cara que mira hacia afuera del aparato.

Para detener la reproducción, presione el botón **■/▲**.  
 Para hacer una pausa en la reproducción, presione el botón **||**. Para reanudar la reproducción, presiónelo otra vez.  
 Para avanzar rápidamente o rebobinar, presione el botón **◀◀** o **▶▶** en el modo de parada. Luego presione el botón **■/▲** para detener la cinta.

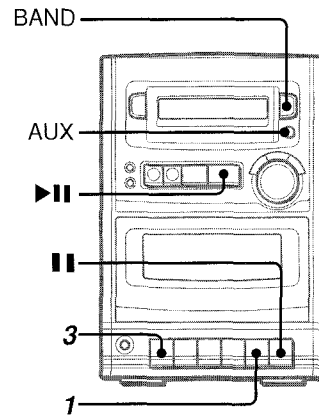
**Para iniciar la reproducción cuando la alimentación esté desconectada (Función de Reproducción Directa)**  
 Presione el botón **▶**. La alimentación se conectará y comenzará la reproducción de la cinta insertada.

### Acerca de las cintas de casete

- Las cintas de 120 minutos o más son extremadamente finas y se deforman o estropean fácilmente. No son recomendadas.
- Tense la cinta con un lápiz o herramienta similar antes de utilizarla. Una cinta floja puede romperse o atascarse en el mecanismo.

## GRABACIÓN

Esta sección explica cómo grabar desde la radio, el reproductor de CDs o desde un equipo externo.



### Preparación

- Bobine la cinta hasta el punto desde el cual va a comenzar la grabación.
- Observe que la grabación se realiza en una sola cara de la cinta.
- Use solamente cintas de tipo I (normal).

- 1 Inserte la cinta que vaya a grabar en la pletina. Introduzca la cinta con el lado en que va a grabar primero mirando hacia el exterior de la unidad y con el lado expuesto hacia abajo.

- 2 Tenga preparada la fuente de sonido de la que vaya a grabar.

Para grabar de un disco compacto, presione el botón **▶||** e introduzca el disco.

Para grabar de una emisión radiofónica, presione el botón BAND y sintonice la emisora.

Para grabar de una fuente de sonido conectada, presione el botón AUX y prepare la reproducción.

- 3 Presione el botón **●** para iniciar la grabación.

Presione simultáneamente el botón **▶**. Cuando la función seleccionada sea CD, la reproducción y la grabación empezarán simultáneamente.

Cuando la función seleccionada sea AUX, inicie manualmente la reproducción del equipo conectado.

Para detener la grabación, presione el botón **■/▲**.

Para hacer una pausa en la grabación, presione el botón **||**.

Al llegar al final de la cinta, la cinta se para y el botón **●** se suelta. Durante la grabación de un CD, la reproducción del CD se detiene automáticamente.

Cambie la cinta y presione el botón **●**. Tras ello, la reproducción del CD se reanuda automáticamente.

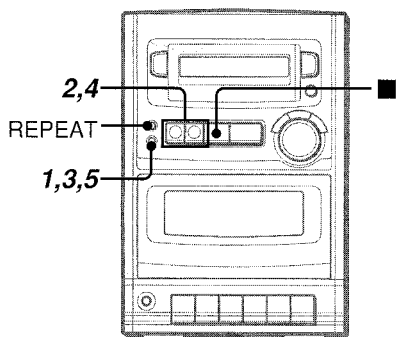
### Para grabar las pistas seleccionadas del CD

Programa las pistas (Véase "REPRODUCCIÓN PROGRAMADA") y presione el botón **●**.

### DERECHOS DE AUTOR

Consulte las leyes de los derechos de autor relacionadas con las grabaciones de discos, programas de radio o cintas externas del país en el que se utilice la unidad.

## AJUSTE DEL RELOJ



Cuando se conecta por primera vez el cable de alimentación de Corriente Alterna, la hora parpadea en la pantalla.

**Configure la hora como sigue mientras la alimentación esté desconectada.**

### 1 Presione el botón SET.

Verá parpadear la hora



**2 Presione el botón ◀◀ o ▶▶ para establecer la hora.**

**3 Presione el botón SET para fijar la hora.**

Verá cómo la hora deja de parpadear y empieza a hacerlo el minuto.

**4 Presione el botón ◀◀ o ▶▶ para establecer el minuto.**

**5 Presione el botón SET para establecer el minuto y completar la configuración.**

El minuto para de parpadear en la pantalla y el reloj comienza desde 00 segundos.

### Para corregir la hora actual

Presione el botón POWER para apagar la unidad y presione el botón SET. Tras ello, lleve a cabo los pasos 1 a 5 anteriores.

### Para visualizar la hora actual

Mantenga presionado el botón ■ hasta que se visualice el reloj. Se visualizará la hora durante 4 segundos.

### Para cambiar al modo de 24 horas

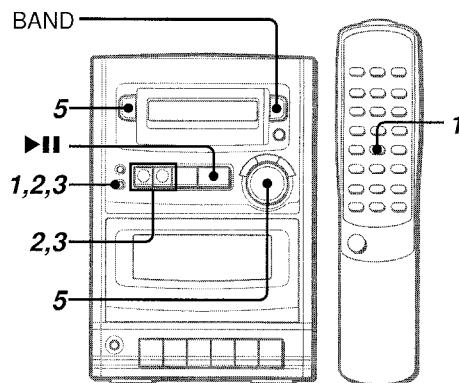
Mientras la unidad está conectada, mantenga presionado el botón ■ hasta que el reloj se visualice y presione el botón REPEAT antes de que transcurran 4 segundos. Repita el mismo procedimiento para regresar al modo de 12 horas.

### Si la pantalla del reloj parpadea mientras la unidad está encendida.

Esto se debe a una interrupción en el suministro de alimentación. Deberá resetearse la hora actual.

Si la alimentación se interrumpe durante más de 12 horas, deberán resetearse todos los ajustes realizados en la memoria tras haber adquirido la unidad.

## AJUSTE DEL TEMPORIZADOR



La unidad puede encenderse cada día automáticamente en el momento que se le especifique gracias al temporizador incorporado.

### Preparación

Asegúrese de que el reloj esté en la hora correcta.

**1 Presione el botón TIMER en el control remoto para que aparezca en pantalla ☀ y presione el botón SET antes de que transcurran 2 segundos.**

Se visualiza ☀ y la hora parpadea.



### NOTA

Si no presiona el botón a antes de que transcurran 2 segundos, puede comenzar otra operación.

**2 Establezca la hora de activación del temporizador presionando el botón ◀◀ o ▶▶ y el botón SET. Repita la misma operación para establecer el minuto de la hora de activación del temporizador.**

**3 Seleccione la duración del período de activación del temporizador utilizando el botón ◀◀ o ▶▶ y presione el botón SET.**



Puede establecerse la duración del período de activación del temporizador entre 5 y 240 minutos en incrementos de 5 minutos.

**4 Prepare la fuente de entrada.**

**Para escuchar un CD,** presione el botón ▶|| e introduzca un disco.

**Para escuchar la radio,** presione el botón BAND y sintonice una emisora.

**5 Presione el botón POWER para apagar la unidad después de haber ajustado el volumen.**

☀ permanecerá en la pantalla después de apagar (modo de temporizador en standby).

Una vez alcanzado el tiempo de activación del temporizador, la unidad se encenderá y comenzará la reproducción de la fuente de entrada seleccionada.

• No es posible configurar el nivel de volumen a 21 o más.

**Comprobación del tiempo especificado**

Presione el botón TIMER en el control remoto. Parpadeará durante 2 segundos la hora de activación del temporizador. No se indicará, sin embargo, la duración del período de activación.

**Para cancelar el modo de standby del temporizador temporalmente**

Presione dos veces el botón TIMER en el control remoto para apagar ☹.

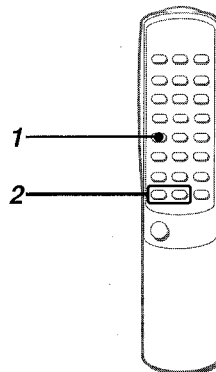
**Cómo usar la unidad mientras el temporizador está puesto**

Puede utilizar la unidad con toda normalidad después de haber establecido el temporizador. Antes de apagar la unidad, repita el paso 4 para preparar la fuente de entrada y ajuste el volumen y el tono.

**NOTA**

- No comenzará la reproducción con temporizador a menos que esté apagado el encendido.
- No puede encenderse y apagarse el equipo conectado mediante el temporizador incorporado de esta unidad. Use un temporizador externo.
- Cuando se interrumpe la alimentación, la pantalla ☹ desaparece y parpadea el reloj. Reseteo el reloj y configure de nuevo el temporizador.

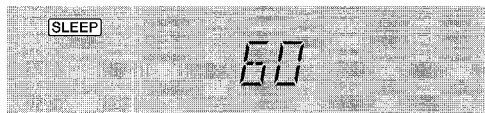
# AJUSTE DEL TEMPORIZADOR DE APAGADO



La unidad puede apagarse automáticamente en el momento que se le especifica.

Use el control remoto.

**1 Presione el botón SLEEP.**



**2 Antes de que transcurran 4 segundos presione el botón ◀◀ o ▶▶ para especificar el tiempo que ha de transcurrir para que se apague el aparato.**

El tiempo cambia entre 5 y 240 minutos en incrementos de 5 minutos cada vez que se presiona el botón.



**Para comprobar el tiempo restante hasta el apagado**

Presione una vez el botón SLEEP. Se visualizará el tiempo restante durante 4 segundos.

**Para cancelar el temporizador de apagado**

Presione dos veces el botón SLEEP para que desaparezca "SLEEP" de la pantalla.

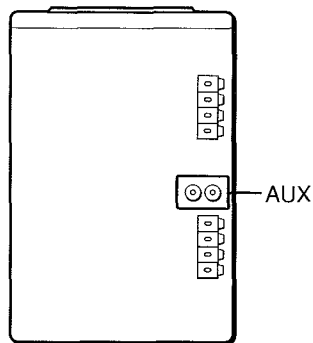
**NOTA**

Si la unidad está apagada durante la lectura de una cinta, el botón ▶ se mantiene presionado. Presione el botón ■/▲ para que se suelte el botón ▶.



## CONEXIÓN DE UN EQUIPO OPCIONAL

### CONEXIÓN A TOMAS AUX



Esta unidad puede introducirse señales de sonido a través de tomas AUX.

Use un cable con fonoconectores RCA para conectar equipo (tocadiscos, reproductores de discos láser con tomas de salida análoga, platinas DAT, reproductores MD, VCRs, TV, etc.)

Conecte el conector rojo a la toma R y el conector blanco a la toma L.

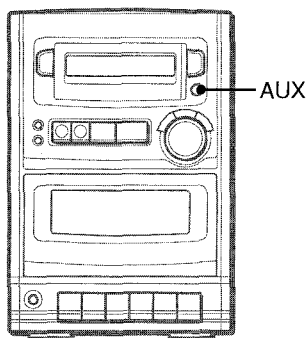
Consulte el Manual de Instrucciones del equipo conectado para obtener más detalles.

- No se suministran cables de conexión. Debe adquirirlos por separado.
- Consulte con su centro Aiwa local si desea obtener equipo opcional.

### Cuando conecte un tocadiscos

Utilice un tocadiscos Aiwa provisto de amplificador con ecualizador incorporado.

## AUDICIÓN DE FUENTES DE SONIDO EXTERNAS



Para reproducir equipo conectado a las tomas AUX, presione el botón AUX e inicie la reproducción. "AUX" aparecerá en la pantalla.

## CUIDADO Y MANTENIMIENTO

El mantenimiento y cuidado ocasional de la unidad y del software resultan necesarios para optimizar el funcionamiento de su unidad.

### Para limpiar la caja

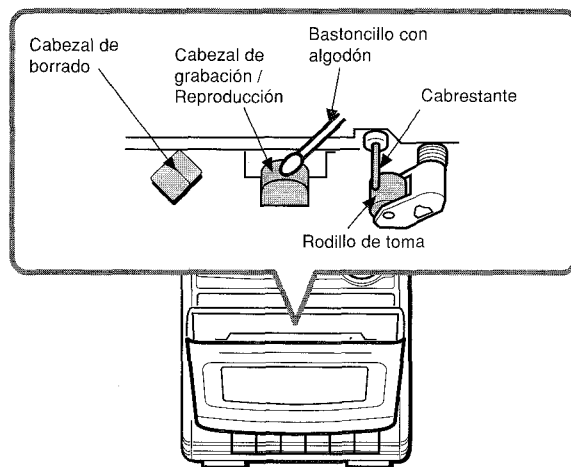
Utilice un paño suave y seco.

Su las superficies están muy sucias, utilice un paño suave ligeramente humedecido en una solución de detergente suave. No utilice disolventes fuertes tales como alcohol, bencina o diluyente ya que éstos podrían estropear al acabado de la unidad.

### Para limpiar los cabezales y los puntos por donde pasa la cinta

Después de cada 10 horas de uso, limpie los cabezales y los puntos por donde pasa la cinta con un casete limpiacabezales o con un palillo con algodón humedecido con un líquido limpiador o con alcohol desnaturalizado. (Estos juegos de limpieza pueden ser obtenidos en comercios.)

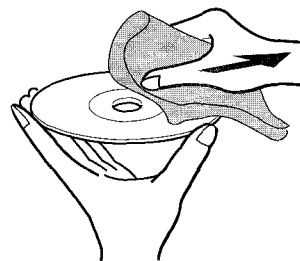
Cuando limpie con un bastoncillo con algodón, limpie el cabezal de grabación/reproducción, el cabezal de borrado cabrestante rodillos.



Después de limpiar los cabezales y los puntos por donde pasa la cinta con un casete limpiacabezales líquido o con un palillo con algodón húmedo, espere a que las partes que ha limpiado se hayan secado completamente antes de introducir una cinta.

### Cuidado de los discos

- Cuando un disco esté sucio, límpielo pasando un paño de limpieza desde el centro hacia afuera.



- Después de reproducir un disco, guárdelo en su caja. No deje los discos en lugares calientes o húmedos.

### Cuidado de las cintas

- Guarde las cintas en sus cajas después de utilizarlas.
- No deje las cintas cerca de imanes, motores, televisores o cualquier otra fuente de magnetismo. Ello reducirá la calidad del sonido y causará ruidos.
- No exponga cintas a la luz directa del sol, ni las deje en el interior de un automóvil estacionado bajo la luz directa del sol.



# ESPECIFICACIONES

## Unidad principal

### Sección del sintonizador de FM

Gama de sintonización	87,5 MHz a 108 MHz
Terminales de antena	75 ohmios (asimétricos)

### Sección del sintonizador de AM

Gama de sintonización	530 kHz a 1710 kHz (incrementos de 10 kHz) 531 kHz a 1602 kHz (incrementos de 9 kHz)
Antena	Antena de cuadro

### Sección del amplificador

Potencia de salida	5 W + 5 W (1 kHz, D.A.T. 10 %, 4 ohmios) 3,5 W + 3,5 W (100 - 15kHz, D.A.T. menos de 1%, 4 ohmios)
--------------------	---

### Sección platina de casete

Formato de pista	4 pistas, 2 canales estéreo.
Respuesta de frecuencia	Cinta normal 50 Hz - 12500 Hz
Sistema de grabación	Polarización de CA
Sistema de borrado	Borrado magnético
Cabezales	Cabeza de grabación/ reproducción x 1 Cabeza de borrado x 1

### Sección reproductor de discos compactos

Láser	Láser de semiconductor ( $\lambda = 780\text{nm}$ )
Convertidor D-A	1 bit dual
Wow y flutter	Immensurable

### Sistema de altavoces

Altavoces	100 mm tipo cónico, 4 ohmios
Dimensiones (An x Al x Lg)	150 x 236,2 x 210,5 mm
Peso	1,1 kg

### Generalidades

Alimentación	120 V CA, 60 Hz
Consumo	22 W
Dimensiones de la unidad principal (An x Al x Lg)	160 x 236,2 x 209,3 mm
Peso de la unidad principal	2,6 kg

Las especificaciones y el aspecto exterior están sujetos a cambios sin previo aviso.

### NOTA

Este equipo se ha comprobado y determinado que cumple con los límites de dispositivo digital de clase B, según la parte 15 de las Normas de la FCC. Estos límites se han diseñado para ofrecer una protección razonable frente a interferencias dañinas en instalaciones residenciales. Este equipo genera, utiliza y puede irradiar energía de radio frecuencia y, si no se instala y utiliza de acuerdo con las instrucciones, puede provocar interferencias dañinas a comunicaciones de radio. Sin embargo, no hay garantía de que dichas interferencias no se darán en una instalación en particular. Si este equipo causa interferencias a la recepción de radio o televisión, lo que puede averiguarse encendiendo y apagando el aparato, animamos al usuario a corregir la interferencia con una o varias de estas medidas:

- Reoriente o recoloque la antena receptora.
- Aumente la separación entre el equipo y el receptor.
- Conecte el equipo a una toma de circuito distinto del que está conectado el receptor.
- Pida ayuda al distribuidor o a un técnico de Radio/TV.

### PRECAUCIÓN

Las modificaciones o ajustes realizados a este producto sin aprobación expresa y por escrito por parte del fabricante pueden anular el derecho o autoridad del usuario para emplear este producto.

# GUÍA PARA LA SOLUCIÓN DE PROBLEMAS

Si la unidad no funciona como se describe en este Manual de Instrucciones, compruebe la guía siguiente:

## GENERALIDADES

### No hay sonido

- ¿Está bien conectado el cable de alimentación de CA?
- ¿Hay alguna conexión mal hecha? (→ página 3)
- ¿Se ha presionado un botón de función incorrecto?

### El sonido es inaudible.

- Puede haber un cortocircuito en los bornes de los altavoces.  
→ Desconecte el cable de C.A. de la salida CA. y reconecte los cables del altavoz correctamente. Conecte el cable de C.A. y encienda a unidad otra vez.

### Sólo sale sonido de un altavoz

- ¿Está el otro altavoz desconectado?

## SECCIÓN DEL SINTONIZADOR

### Hay un ruido de estática constante en forma de onda.

- ¿Está conectada correctamente la antena? (→ página 3).

### La recepción contiene interferencias o el sonido está distorsionado

- ¿Capta el sistema ruidos externos o distorsión de múltiples trayectorias?  
→ Cambie la orientación de la antena.  
→ Separe la unidad de otros aparatos eléctricos.

## SECCIÓN DE LA PLETINA

### La cinta no se mueve.

- ¿Está la pletina en el modo de pausa? (→ página 8)

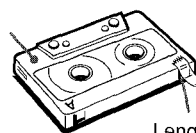
### El sonido es asimétrico o no alcanza el volumen suficiente

- ¿Está sucio el cabezal de reproducción? (→ página 11).

### No es posible grabar.

- Si se ha roto la lengüeta de la cinta, tape el hueco con cinta adhesiva.

Cara A



Lengüeta de la Cara A

- ¿Está sucio el cabezal de grabación? (→ página 11).

### No es posible borrar la grabación.

- ¿Está sucio el cabezal de borrado? (→ página 11).
- ¿Está utilizando una cinta de CrO<sub>2</sub> o de metal?

### No se emite sonido de alta frecuencia.

- ¿Está sucio el cabezal de grabación/reproducción? (página → 11).

## SECCIÓN DEL REPRODUCTOR DE DISCOS COMPACTOS

### El reproductor de discos compactos no puede reproducir.

- ¿Está bien insertado el disco? (→ página 5).
- ¿Está sucio el disco? (→ página 11).
- ¿Afecta la condensación a la lente?  
→ Espere una hora aproximadamente y pruebe otra vez.

## SECCIÓN DEL RELOJ Y DEL TEMPORIZADOR

### No es posible configurar el temporizador.

- ¿Parpadea el reloj en la pantalla?  
→ Resetea el reloj. (→ página 9)

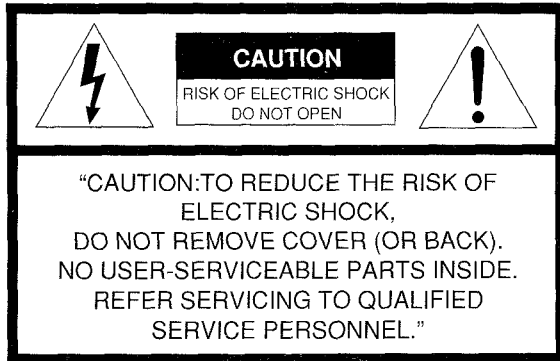
## Para resetear la unidad

Si se produce alguna condición extraña en la pantalla o en las platinas, reajuste la unidad de la forma siguiente:

- 1 Presione el botón POWER para desconectar la alimentación.
- 2 Presione el botón POWER para volver a conectar la alimentación mientras pulsa el botón ■. Se borrará todo lo que haya sido almacenado en la memoria después de haber adquirido la unidad. Si no puede desconectarse la alimentación en el paso 1 debido a algún mal funcionamiento, resetee la unidad desconectando el cable de alimentación de CA y repita el paso 2.

## AVERTISSEMENT

AFIN DE RÉDUIRE TOUT RISQUE D'INCENDIE OU DE DÉCHARGE ÉLECTRIQUE, VEILLEZ À CE QUE CET APPAREIL SOIT À L'ABRI DE LA PLUIE ET DE L'HUMIDITÉ.



### Explication des symboles:



L'éclair se terminant par une flèche dans un triangle équilatéral prévient l'utilisateur de la présence d'une "tension dangereuse" non isolée à l'intérieur du coffret de l'appareil, qui peut être d'un niveau suffisant pour constituer un risque de décharge électrique.



Le point d'exclamation dans un triangle équilatéral prévient l'utilisateur qu'il y a des instructions importantes concernant le fonctionnement et l'entretien (la maintenance) dans la documentation jointe à l'appareil.

## PRÉCAUTIONS

Lisez bien attentivement et complètement ces instructions d'utilisation avant de vous servir de votre appareil. Mettez ces instructions de côté pour pouvoir les consulter dans l'avenir. Toutes les précautions et tous les avertissements donnés dans ce manuel et sur l'appareil doivent être strictement suivis de même que les suggestions relatives à la sécurité indiquées ci-dessous.

### Installation

- Eau et humidité** – N'utilisez pas cet appareil à proximité d'une source d'eau comme une baignoire, un lavabo, une piscine ou d'autres endroits semblables.
- Chaleur** – N'utilisez pas cet appareil à proximité d'une source de chaleur, comme les ouvertures de chauffage, les poêles ou d'autres appareils émettant de la chaleur. Il ne faut pas non plus le placer dans un endroit où la température est inférieure à 5°C ou supérieure à 35°C.
- Surface de montage** – Posez l'appareil sur une surface plane et lisse.
- Ventilation** – Veillez à ce qu'il y ait suffisamment d'espace autour de l'appareil afin qu'il y ait une bonne ventilation de la chaleur. Laissez un espace de 10 cm à l'arrière et au-dessus de l'appareil et un espace de 5 cm de chaque côté.
  - Ne placez pas l'appareil sur un lit, un tapis ou une surface semblable qui pourrait bloquer les orifices de ventilation.
  - N'installez pas l'appareil dans une bibliothèque, dans une armoire ou sur une étagère fermée où la ventilation pourrait être insuffisante.
- Pénétration d'objets et de liquide** – Veillez à ce qu'aucun objet ou liquide ne pénètre dans l'appareil par les orifices de ventilation.
- Chariots et supports** – Déplacez l'appareil avec précaution lorsqu'il est posé sur un chariot ou un support. Des arrêts brusques, l'utilisation d'une trop grande force et des surfaces inégales pourraient renverser le chariot ou l'appareil ou le faire tomber.



- Condensation** – De la condensation peut se former sur la lentille de la tête de lecture des disques compacts lorsque:
  - on déplace l'appareil d'un endroit froid à un endroit chaud ;
  - le chauffage vient d'être allumé ;
  - l'appareil est dans une pièce très humide ;
  - l'appareil est dans une pièce refroidie par climatisation ;
 S'il y a de la condensation à l'intérieur de l'appareil, il risque de ne pas bien fonctionner. Dans ce cas, laissez l'appareil pendant quelques heures puis essayez de l'utiliser à nouveau.
- Installation au mur ou au plafond** – Cet appareil ne doit pas être monté sur un mur ou sur un plafond, à moins que les instructions d'utilisation ne le précisent.

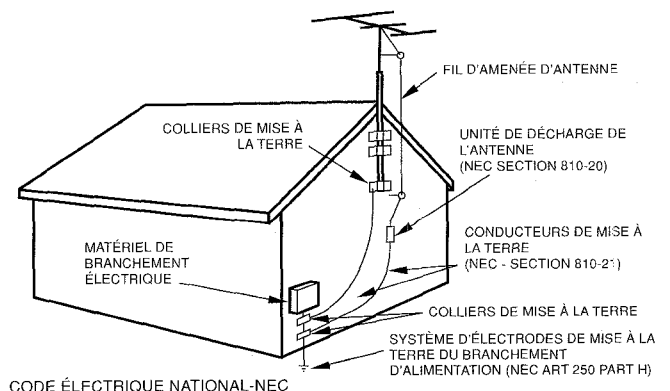
### Alimentation électrique

- Sources d'alimentation** – Connectez cet appareil uniquement aux sources d'alimentation spécifiées dans ces instructions d'utilisation et indiquées sur l'appareil.
- Polarisation** – Par mesure de sécurité, certains appareils sont munis de fiches polarisées d'alimentation secteur qui ne peuvent être insérées que d'une seule façon dans une prise de courant. S'il est difficile, voire impossible, d'insérer la fiche d'alimentation secteur dans une prise de courant, retournez la prise et essayez de nouveau. Si vous avez toujours des difficultés à l'insérer dans la prise de courant, faites appel à un technicien qualifié pour réparer ou remplacer la prise. N'essayez pas d'outrepasser l'aspect de sécurité de la fiche polarisée en forçant pour l'insérer dans une prise de courant.
- Cordon secteur**
  - Pour débrancher le cordon d'alimentation, tirez sur la fiche. Ne tirez pas sur le cordon.
  - Ne touchez jamais la fiche d'alimentation avec des mains mouillées car cela pourrait présenter des risques d'incendie ou de décharge électrique.
  - Le cordon d'alimentation doit être acheminé de manière à éviter qu'il soit plié, pincé ou foulé au pied. Faites particulièrement attention au cordon reliant l'appareil à la prise de courant.
  - Évitez de surcharger les fiches d'alimentation secteur et les rallonges au-delà de leur capacité nominale, ce qui pourrait présenter un risque d'incendie ou de décharge électrique.
- Rallonge** – Afin d'empêcher tout risque de décharge électrique, n'utilisez pas de fiche polarisée d'alimentation secteur avec une rallonge ou une prise de courant quelconque à moins que la fiche polarisée puisse être complètement insérée de manière à ce que les broches de la fiche ne soient pas exposées.
- Quand l'appareil n'est pas utilisé** – Débranchez le cordon d'alimentation secteur si l'appareil ne doit pas être utilisé pendant plusieurs mois ou pendant une période plus longue. Lorsque le cordon est branché, un courant de faible intensité continue de s'écouler dans l'appareil, même si ce dernier est éteint.

### Antenne extérieure

- Lignes de transport d'énergie** – Lorsque vous installez une antenne extérieure, veillez à ce qu'elle soit éloignée de toute ligne de transport d'énergie.
- Mise à la terre de l'antenne extérieure** – Veillez à ce que le système de l'antenne soit bien mis à la terre afin de fournir une protection en cas de surtensions soudaines ou en cas d'une accumulation d'électricité statique. L'article 810 du Code Électrique National (NEC) ANSI/NFPA 70, fournit des informations sur la mise à la terre correcte du mât, de la structure de support et du fil d'amenée allant à l'unité de décharge de l'antenne, ainsi que sur la taille de l'unité de mise à la terre, la connexion aux bornes de mise à la terre et les caractéristiques des bornes de mise à la terre.

#### Mise à la terre de l'antenne selon le Code Électrique National

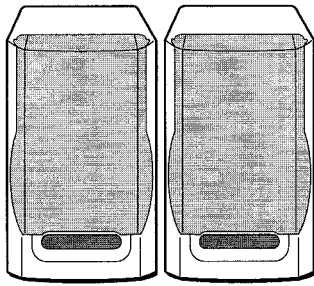
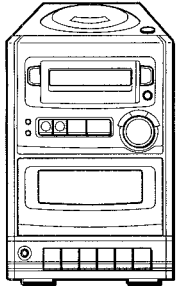


## Aiwa vous souhaite la Bienvenue

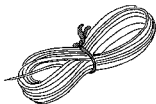
Nous vous félicitons d'avoir acheté une chaîne stéréo AIWA. Afin d'optimiser le bon fonctionnement de cette chaîne, prenez le temps de bien lire ces instructions d'utilisation et de vous familiariser avec les méthodes d'utilisation.

### Vérifiez votre chaîne et ses accessoires

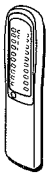
LCX-150/LCX-151  
Chaîne stéréo avec lecteur de disques compacts



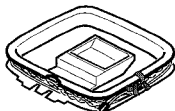
Antenne FM



Télécommande



Antenne AM



Instructions d'utilisation etc.

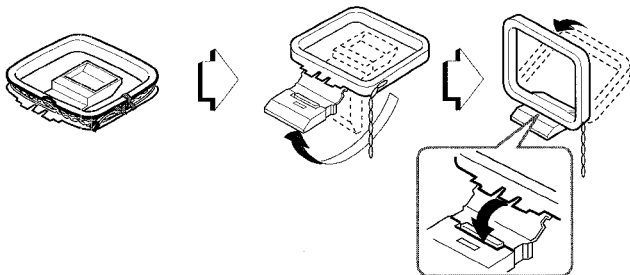
### Registre du propriétaire

Inscrivez dans les cases ci-dessous le numéro du modèle et le numéro de série de votre chaîne (qui sont indiqués sur le dos de celle-ci). Vous les aurez ainsi sous la main si vous avez besoin de contacter votre distributeur AIWA en cas de difficulté.

Modèle N°	N° de Série (N° de lot)
LCX-150U/LCX-151U	

### Pour installer l'antenne AM sur une surface

Fixez la griffe dans la rainure.



## TABLE DES MATIÈRES

### PRÉPARATIONS

PRÉCAUTIONS .....	1
CONNEXIONS .....	3
AVANT L'UTILISATION .....	4

### SON

RÉGLAGE DU SON .....	4
----------------------	---

### LECTURE DE DISQUES COMPACTS

LECTURE D'UN DISQUE COMPACT .....	5
-----------------------------------	---

### RÉCEPTION RADIO

ACCORD MANUEL .....	7
PRÉRÉGLAGE DES STATIONS .....	7

### LECTURE DE CASSETTES

LECTURE D'UNE CASSETTE .....	8
------------------------------	---

### ENREGISTREMENT

ENREGISTREMENT .....	8
----------------------	---

### HORLOGE ET MINUTERIE

RÉGLAGE DE L'HORLOGE .....	9
RÉGLAGE DE LA MINUTERIE .....	9
RÉGLAGE DE LA MINUTERIE DE SOMMEIL .....	10

### AUTRES CONNEXIONS

CONNEXION D'UN APPAREIL OPTIONNEL .....	11
---	----

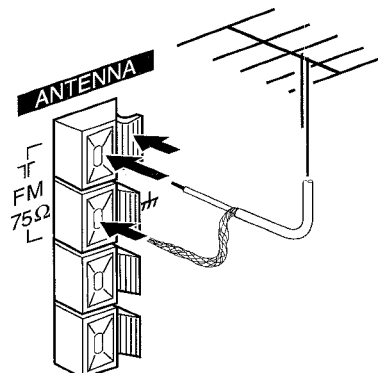
### GÉNÉRALITÉS

SOINS ET ENTRETIEN .....	11
SPÉCIFICATIONS .....	12
GUIDE DE DÉPISTAGE DES DÉFAUTS .....	12
NOMENCLATURE .....	<i>Dernière page</i>

### Connexion d'une antenne extérieure

Pour obtenir une meilleure réception FM, il est recommandé d'utiliser une antenne extérieure.

Connectez l'antenne extérieure aux bornes FM 75 Ω.



# CONNEXIONS

## Avant de connecter le cordon secteur

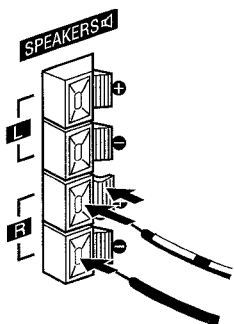
La tension nominale indiquée sur le panneau arrière de votre appareil est de 120V C.A. Vérifiez si cette tension nominale correspond bien à la tension locale.

### IMPORTANT

- Connectez tout d'abord les haut-parleurs, les antennes et tout le matériel facultatif. Finissez par connecter le cordon secteur.
- Il n'y a pas de différences entre les haut-parleurs avant qui peuvent être tous deux connectés aussi bien comme haut-parleur gauche que comme haut-parleur droit.

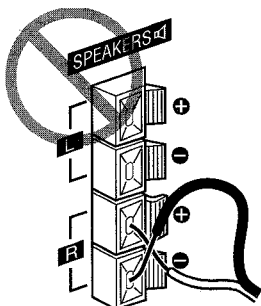
## 1 Connectez les cordons des haut-parleurs à l'unité principale.

Il faut connecter les cordons à rayures blanches aux bornes **+** et les autres cordons aux bornes **-**.



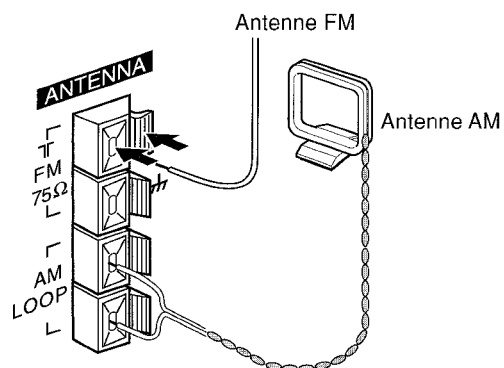
### REMARQUE

N'effectuez pas de court-circuit avec les cordons des haut-parleurs **+** et **-** puisque le son serait inaudible. Si cela se produisait, débranchez le cordon secteur de sa prise et rebranchez-le correctement. Branchez le cordon d'alimentation et rallumez l'appareil.



## 2 Connectez les antennes fournies.

Connectez l'antenne FM aux bornes 'FM 75 Ω' et l'antenne AM aux bornes 'AM LOOP'.



## 3 Branchez le cordon secteur sur une prise de courant.

### Pour placer les antennes

#### Antenne FM:

Étendez cette antenne et changez la direction et l'angle afin d'obtenir la meilleure réception possible.

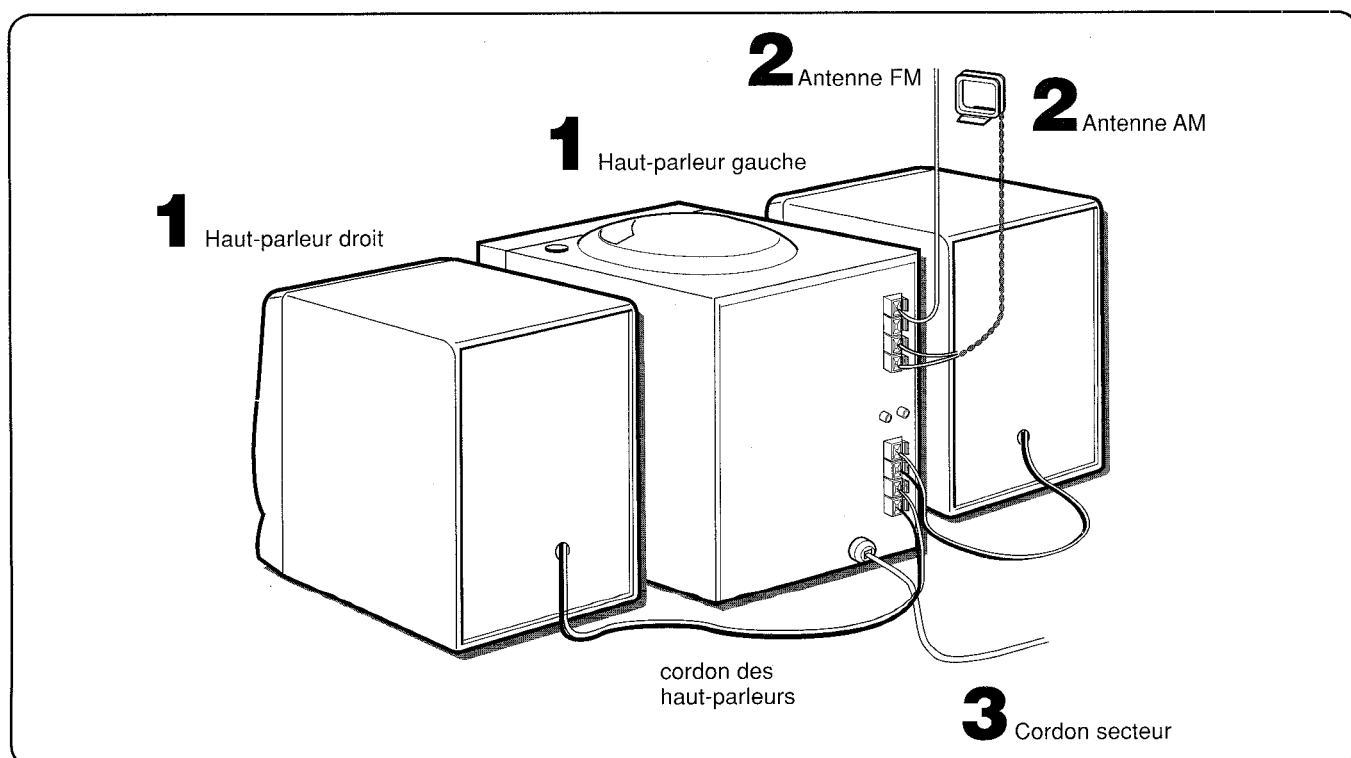
#### Antenne AM:

Orientez-la afin d'obtenir la meilleure réception possible.

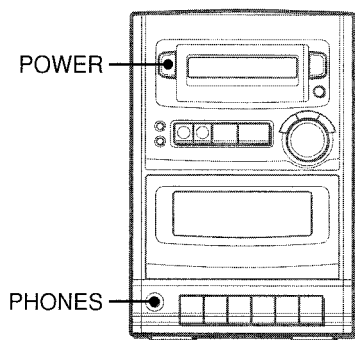
### REMARQUE

- Ne laissez pas près des haut-parleurs des objets produisant un champ magnétique.
- Ne mettez pas l'antenne FM à proximité d'objets métalliques ni de tringles à rideau.
- Ne mettez pas l'antenne AM à proximité d'aucun autre matériel optionnel, de la chaîne stéréo elle-même, du cordon secteur ou des cordons des haut-parleurs, ce qui pourrait capter des parasites.
- Ne déroulez pas le fil de l'antenne AM.

Pour connecter tout autre appareil optionnel → consultez la page 11.



## AVANT L'UTILISATION



### Pour allumer l'appareil

Appuyez sur la touche POWER.

### Après l'utilisation:

Appuyez sur la touche POWER pour éteindre l'appareil. L'affichage passe à l'indication de l'heure.

### Utilisation du casque d'écoute

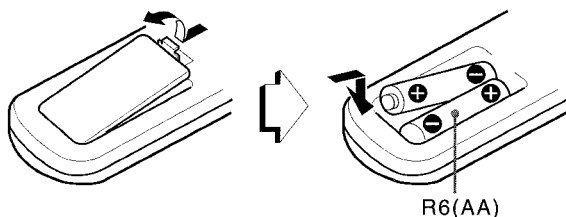
Connectez le casque d'écoute à la prise PHONES au moyen d'une mini-fiche stéréo (ø3,5 mm).

Aucun son ne sort des haut-parleurs lorsque le casque d'écoute est branché.

## TÉLÉCOMMANDE

### Insertion des piles dans la télécommande.

Retirez le couvercle au dos de la télécommande et insérez deux piles R6 (de taille AA).



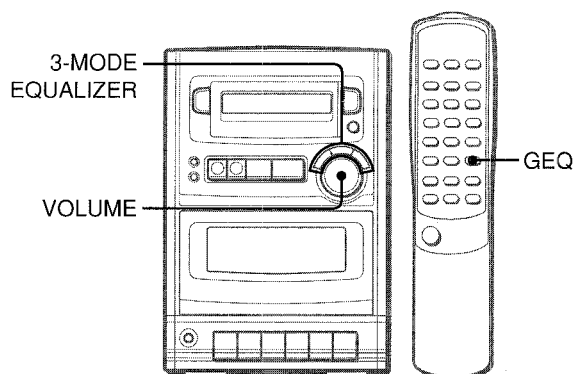
### Quand changer les piles

Il est possible de faire fonctionner la télécommande à une distance maximum d'environ 5 mètres du capteur situé sur l'unité principale. Lorsque cette distance commence à diminuer, remplacez les piles par des neuves.

### REMARQUE

- Si la télécommande ne va pas être utilisée pendant un certain temps, enlevez les piles à l'intérieur pour empêcher toute fuite d'électrolyte.
- Il se peut que la télécommande ne fonctionne pas correctement si:
  - La ligne de visée entre la télécommande et le capteur situé en haut à gauche du panneau frontal (voir l'illustration dans le paragraphe intitulé "AVANT L'UTILISATION") est exposée à une lumière intense comme les rayons du soleil
  - D'autres télécommandes sont utilisées à proximité (télévision etc.).

## RÉGLAGE DU SON



## RÉGLAGE DU VOLUME

### Appuyez sur la commande VOLUME.

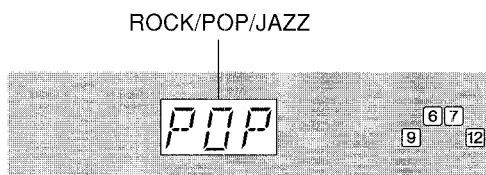
Appuyez sur le côté le plus haut pour augmenter le volume et sur le plus bas pour le baisser.

Le niveau du volume est affiché sur l'affichage pendant 4 secondes. Vous pouvez le régler entre 0 (minimum) et 30, puis sur MAX (maximum).

Le volume reste mémorisé après que l'appareil est éteint. Cependant, si l'appareil est éteint quand le volume est réglé à plus de 20, celui-ci est réglé automatiquement à 20 lorsque l'appareil est rallumé.

## ÉGALISEUR GRAPHIQUE

### Appuyez sur l'une des touches 3- MODE EQUALIZER.



**ROCK:** Son puissant renforçant les sons aigus et les sons graves.

**POP:** Plus de présence aux fréquences vocales et aux fréquences à mi-gamme.

**JAZZ:** Son enrichi par des graves intenses et des aigus subtiles.

### Pour annuler un mode sélectionné

Appuyez de nouveau sur la touche sélectionnée.

### Si vous utilisez la télécommande

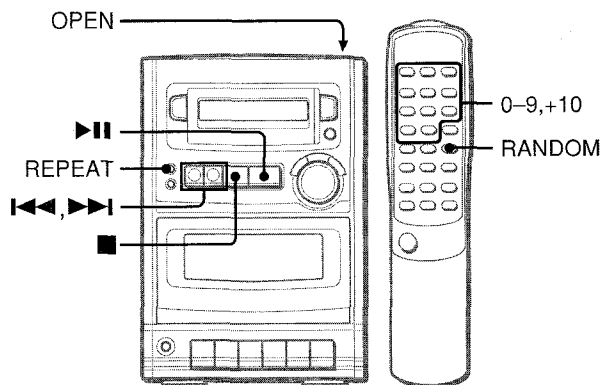
Appuyez sur la touche GEQ jusqu'à ce que le mode d'égalisation désiré s'affiche.

Le mode d'égalisation change cycliquement à ROCK, POP, JAZZ ou à aucune égalisation.

## RÉGLAGE DU SON PENDANT L'ENREGISTREMENT

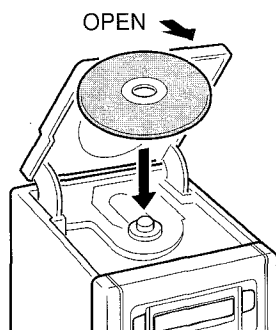
Vous pouvez modifier à votre gré le volume et le son sortant des haut-parleurs ou du casque d'écoute sans affecter le niveau de l'enregistrement.

## LECTURE D'UN DISQUE COMPACT



### CHARGEMENT DU DISQUE

Appuyez sur la touche de position OPEN afin d'ouvrir le compartiment du disque. Placez un disque avec la face portant l'étiquette tournée vers le haut puis refermez le compartiment.

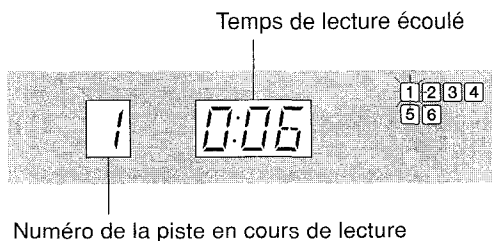


### LECTURE D'UN DISQUE

Insérez un disque.

Appuyez sur la touche ►►.

La lecture de la première piste commence.



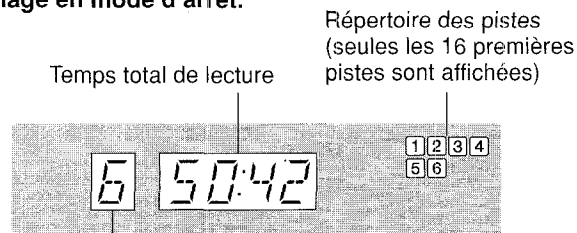
Pour arrêter la lecture, appuyez sur la touche ■.

Pour interrompre temporairement la lecture, appuyez sur la touche ►►. Pour continuer la lecture, appuyez de nouveau sur cette touche.

Pour chercher un point particulier en cours de lecture, maintenez appuyée la touche ◀◀ ou ▶▶ et lâchez-la au moment voulu.

Pour passer au début d'une piste en cours de lecture, appuyez plusieurs fois sur la touche ◀◀ ou ▶▶.

Affichage en mode d'arrêt.



Nombre total de pistes

Pour commencer la lecture lorsque l'appareil est éteint (Fonction de lecture directe).

Appuyez sur la touche ►►. L'appareil s'allume et la lecture du disque inséré commence.

Si vous avez sélectionné une fonction autre que celle de lecture de disques compacts l'appareil étant allumé, en appuyant une fois sur la touche ►► la sélection de la fonction de compacts disques est faite et la lecture commencera.

### Sélection d'une piste avec la télécommande

Appuyez sur les touches numériques et sur la touche +10 pour sélectionner une piste.

Exemple:

Pour sélectionner la 25ème piste, appuyez sur les touches +10, +10 et 5.

Pour sélectionner la 10ème piste, appuyez sur les touches +10 et 0.

La lecture de la piste sélectionnée commence et se poursuit jusqu'à la fin du disque.

### REMARQUE

- N'utilisez pas de CDs de façon irrégulière (comme par exemple ceux en losanges ou octogonaux) pouvant occasionner ainsi un mauvais fonctionnement.
- Ne placez pas plus d'un disque compact à la fois dans le compartiment.
- N'essayez pas d'ouvrir le compartiment du disque pendant la lecture.

## LECTURE ALÉATOIRE

Toutes les pistes sur le disque peuvent être lues de façon aléatoire.

**Appuyez sur la touche RANDOM de la télécommande en mode arrêt afin que s'affiche "RAN".**

Appuyez sur la touche ►|| pour que la lecture commence.

**Pour annuler la lecture aléatoire,** Appuyez de nouveau sur la touche RANDOM en mode d'arrêt.

### REMARQUE

- Même en appuyant sur la touche ◀◀, il ne vous est pas possible de sauter une piste que vous avez écoutée précédemment. L'appareil retourne uniquement au début de la piste en cours de lecture.
- Quand vous sélectionnez une piste avec les touches numériques sur la télécommande pendant la reproduction aléatoire, la reproduction de la piste sélectionnée commence et la lecture aléatoire s'annule.

## LECTURE RÉPÉTÉE

La lecture répétée d'une piste, de toutes les pistes ou des pistes programmées est possible.

**Appuyez sur la touche REPEAT afin que "REPEAT 1" ou "REPEAT ALL" s'affiche.**

Pour répéter uniquement la piste actuelle, affichez "REPEAT 1"

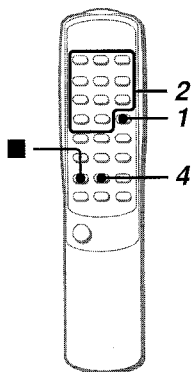
Pour répéter toutes les pistes, faites apparaître "REPEAT ALL" sur l'affichage.

**Pour annuler la lecture répétée, appuyez sur la touche REPEAT afin d'éteindre "REPEAT".**

**Pour répéter uniquement les pistes désirées,** programmez les pistes puis appuyez sur la touche REPEAT afin d'afficher "REPEAT ALL".

## LECTURE PROGRAMMÉE

Il est possible de programmer jusqu'à 30 pistes sur le disque inséré.



Utilisez la télécommande.

### 1 Appuyez sur la touche SET en mode arrêt.

"M" clignote sur l'affichage

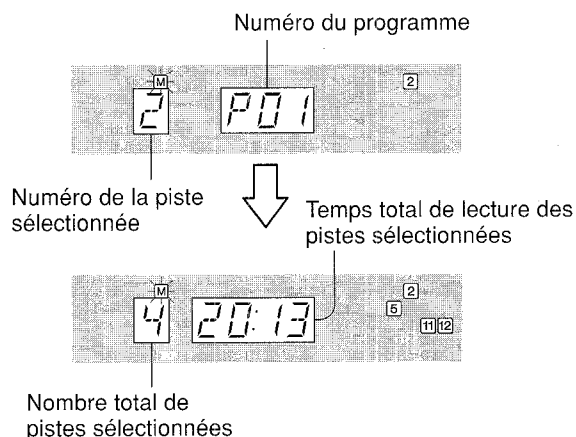


### 2 Appuyez sur les touches numériques et sur la touche +10 pour programmer une piste.

Exemple :

Pour sélectionner la 12ème piste, appuyez sur les touches +10 et 2.

Pour sélectionner la 20ème piste, appuyez deux fois sur la touche +10 et une fois sur la touche 0.



### 3 Répétez l'opération 2 pour programmer d'autres pistes.

### 4 Appuyez sur la touche ►|| pour commencer la lecture.

#### Pour vérifier le programme

Chaque fois que vous appuyez sur la touche ►|| sur l'unité principale dans le mode d'arrêt, un numéro de piste et un numéro de programme sont affichés.

#### Pour effacer le programme

Appuyez sur la touche ■ dans le mode d'arrêt.

#### Pour ajouter des pistes au programme

Avant la lecture, répétez l'opération 2. La piste sera programmée après la dernière piste.

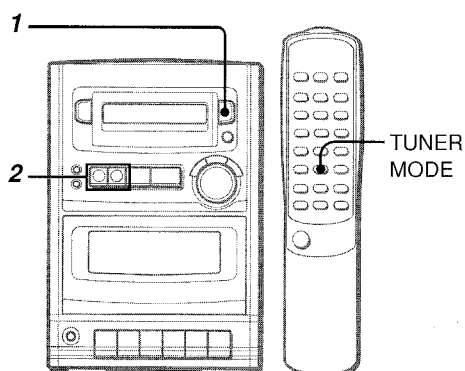
#### Pour changer les pistes programmées

Effacez le programme et répétez toutes les opérations.

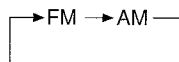
### REMARQUE

- Pendant la lecture programmée, vous ne pouvez pas effectuer les opérations suivantes.
  - Lecture aléatoire
  - Répétition d'une piste (REPEAT 1)
- Si le temps programmé est supérieur à 99:59, ou bien le numéro 31 ou antérieur de la piste du disque est programmé, l'affichage indiquera --:-- comme temps total de lecture.

## ACCORD MANUEL



**1 Appuyez plusieurs fois sur la touche BAND afin de sélectionner la bande désirée.**



**2 Appuyez sur la touche ◀◀ ou ▶▶ afin de sélectionner une station.**

Chaque fois que vous appuyez sur la touche, la fréquence change.

Lorsqu'une station est reçue, "TUNE" s'affiche pour un instant. Pendant une réception FM stéréo, "STEREO" est affiché.



**Pour écouter une station captée alors que l'appareil est éteint (Fonction de Lecture Directe)**

Appuyez sur la touche BAND. L'appareil s'allume et la station captée peut s'écouter.

**Pour rechercher une station rapidement (Recherche automatique)**

Maintenez la touche ◀◀ ou ▶▶ enfoncée jusqu'à ce que le sintoniseur commence à rechercher une station. Une fois la station captée, la recherche s'arrête.

Pour arrêter manuellement la recherche automatique, appuyez sur la touche ◀◀ ou ▶▶.

• Il est possible que la recherche automatique "Auto Search" ne s'arrête pas aux stations émettant des signaux très faibles.

**Lorsqu'une émission FM stéréo contient du bruit**

Appuyez sur la touche TUNER MODE de la télécommande. "MONO" est alors affiché.

Le bruit est réduit mais la réception est monophonique.

Pour revenir à une réception stéréo, appuyez de nouveau sur les touches.

**Pour changer l'intervalle d'accord AM**

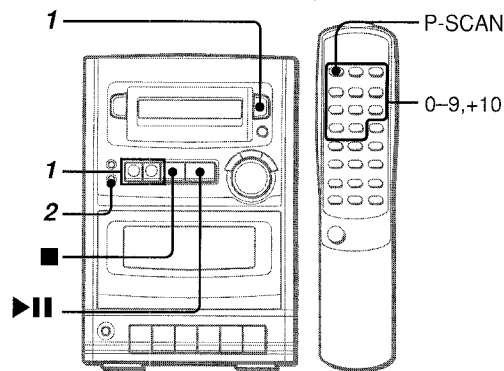
Le réglage par défaut de l'intervalle d'accord AM est 10 kHz/pas. Si vous utilisez cet appareil dans un endroit où le système d'allocation des fréquences est de 9 kHz/pas, vous devez changer l'intervalle d'accord.

Appuyez sur la touche POWER tout en appuyant sur la touche BAND. Pour rétablir l'intervalle, répétez ce procédé.

### REMARQUE

Lorsque l'intervalle d'accord AM est changé, toutes les stations pré-réglées (voir le paragraphe intitulé "PRÉRÉGLAGE DES STATIONS") sont effacées. Les stations pré-réglées doivent être réglées de nouveau.

## PRÉRÉGLAGE DES STATIONS



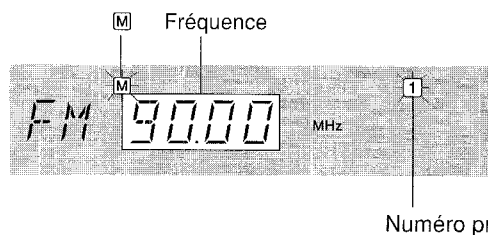
L'appareil peut mémoriser au maximum 32 stations pré-réglées.

Lorsqu'une station est mémorisée, un numéro de pré-réglage est attribué à cette station. Utilisez ce numéro de pré-réglage pour capter directement cette station.

**1 Appuyez sur la touche BAND pour sélectionner une bande, puis appuyez sur la touche ◀◀ ou ▶▶ pour sélectionner une station.**

**2 Appuyez sur la touche SET pour mémoriser la station.**

Un numéro de pré-réglage est attribué à la station, en commençant par 1 et en progressant par ordre croissant pour chaque bande.



**3 Répétez les opérations 1 et 2.**

### REMARQUE

Chaque bande peut mémoriser au maximum 16 stations pré-réglées.

**Pour écouter des stations pré-réglées**

Utilisez la télécommande pour sélectionner directement le numéro pré-réglé.

**1 Appuyez sur la touche BAND pour sélectionner une bande.**

**2 Appuyez sur les touches numériques pour sélectionner un numéro pré-réglé.**

Exemples :

Pour sélectionner le numéro pré-réglé 15, appuyez sur les touches +10, et 5.

Pour sélectionner le numéro pré-réglé 10, appuyez sur les touches +10 et 0.

**Si vous effectuez les opérations sur l'unité principale, appuyez à plusieurs reprises sur la touche ■.**

Chaque fois que vous appuyez sur cette touche, vous sélectionnez le numéro suivant.

**Pour effacer une station pré-réglée:**

Sélectionnez le numéro pré-réglé de la station à effacer. Appuyez ensuite sur la touche SET et appuyez sur la touche ▶▶ dans les 4 secondes qui suivent pendant que la fréquence clignote.

Les numéros pré-réglés de toutes les autres stations dans la bande désignées par des numéros plus élevés sont diminués d'une unité.

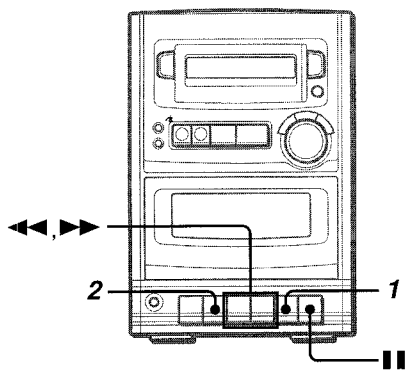
**Pour scanner les stations pré-réglées**

Appuyez sur la touche P-SCAN de la télécommande jusqu'à ce qu'apparaisse "P.SCAN" sur l'affichage. Les stations pré-réglées sont reçues dans l'ordre pendant 5 secondes. Le numéro pré-réglé clignote pendant la réception.

Pour arrêter de scanner, appuyez sur la touche VOLUME.

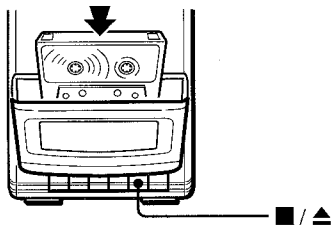


## LECTURE D'UNE CASSETTE



Utilisez uniquement des cassettes type I (normal).

- 1 Appuyez sur la touche ■/▲ pour ouvrir le compartiment de la cassette puis insérez la cassette avec le côté ouvert vers le bas. Poussez sur le compartiment de la cassette pour le refermer.



- 2 Appuyez sur la touche ►.

Vous avez sélectionné la fonction TAPE et la lecture commencera. La lecture se fera uniquement sur le côté tourné vers l'extérieur.

Pour arrêter la lecture, appuyez sur la touche ■/▲.

Pour interrompre temporairement la lecture, appuyez sur la touche ||. Pour reprendre la lecture, appuyez de nouveau sur cette touche.

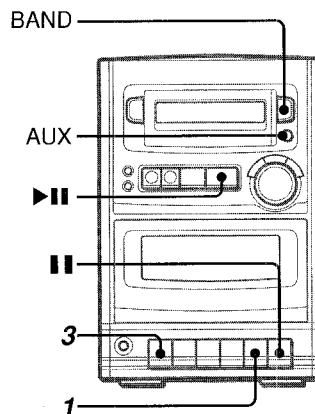
Pour faire avancer la bande rapidement ou pour la rebobiner, appuyez sur la touche ◀◀ ou ▶▶ dans le mode d'arrêt. Puis appuyez sur la touche ■/▲ pour arrêter la cassette.

Pour commencer la lecture lorsque l'appareil est éteint (Fonction de lecture directe)

Appuyez sur la touche ►. L'appareil se met en marche et la lecture de la cassette insérée commence.

## ENREGISTREMENT

Cette section explique comment effectuer un enregistrement en utilisant le syntoniseur, le lecteur de disques compacts ou un appareil externe.



## Préparation

- Situez la cassette au point où commence l'enregistrement.
- Remarquez que l'enregistrement ne s'effectue que d'un côté de la cassette.
- N'utilisez que des cassettes du type I (normal).

- 1 Insérez la cassette sur laquelle vous voulez enregistrer dans la platine.

Insérez la cassette avec le côté sur lequel vous voulez enregistrer en premier tourné vers l'extérieur et le côté ouvert tourné vers le bas.

- 2 Ayez la source prête pour l'enregistrement.

Pour enregistrer un disque compact, appuyez sur la touche ▶|| et insérez le disque.

Pour enregistrer une émission de radio, appuyez sur la touche BAND et réglez le syntoniseur sur une station.

Pour enregistrer à partir de la source connectée, appuyez sur la touche AUX et apprêtez-vous à commencer la lecture.

- 3 Appuyez sur la touche ● pour commencer l'enregistrement.

Vous appuyez sur la touche ► simultanément.

Lorsque la fonction sélectionnée est CD, la lecture et l'enregistrement commencent simultanément.

Lorsque la fonction sélectionnée est AUX, faites commencer la lecture manuellement.

Pour arrêter l'enregistrement, appuyez sur la touche ■/▲.

Pour interrompre l'enregistrement temporairement, appuyez sur la touche ||.

Lorsque la cassette est arrivée jusqu'au bout, la cassette s'arrête et la touche ● se relâche. Pendant l'enregistrement d'un disque compact, la lecture du disque s'arrête automatiquement. Changez de cassette et appuyez sur la touche ●, la lecture du disque compact reprendra automatiquement.

Pour enregistrer les pistes sélectionnées du disque compact.

Programmez les pistes (Consultez "LECTURE PROGRAMMÉE") et appuyez sur la touche ●.

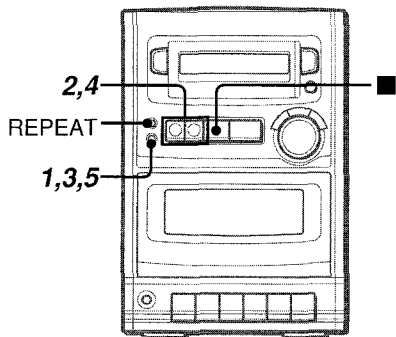
## Au sujet des cassettes

- La bande magnétique des cassettes de 120 minutes ou plus est extrêmement fine et elle se déforme ou s'abîme facilement. Il n'est pas recommandé d'utiliser ce type de cassettes.
- Rattrapez le jeu dans la bande avec un crayon ou un outil similaire avant d'utiliser la cassette. Une bande magnétique lâche risque de se casser ou se coincer dans le mécanisme.

## COPYRIGHT

Veillez vérifier les lois sur le copyright relatives à l'enregistrement de disques, de programmes de radio ou de cassettes dans le pays dans lequel l'appareil est utilisé.

## RÉGLAGE DE L'HORLOGE



La première fois que le cordon secteur est branché, l'heure clignote sur l'affichage.

**Réglez l'heure comme suit pendant que l'appareil est éteint.**

### 1 Appuyez sur la touche SET.

L'heure clignote.



### 2 Appuyez sur la touche I◀◀ ou ▶▶I pour régler l'heure.

### 3 Appuyez sur la touche SET pour enregistrer l'heure.

L'heure s'arrête de clignoter et les minutes commencent à clignoter.

### 4 Appuyez sur la touche I◀◀ ou ▶▶I pour régler les minutes.

### 5 Appuyez sur la touche SET pour enregistrer les minutes et terminer le réglage.

Les minutes s'arrêtent de clignoter sur l'affichage et l'horloge démarre à 00 secondes.

#### Pour corriger l'heure actuelle

Appuyez sur la touche POWER pour éteindre l'appareil puis appuyez sur la touche SET. Exécutez les opérations antérieures de 1 à 5.

#### Pour afficher l'heure

Maintenez appuyée la touche ■ jusqu'à ce que l'horloge s'affiche. L'heure s'affichera pendant 4 secondes.

#### Pour passer au format de 24 heures

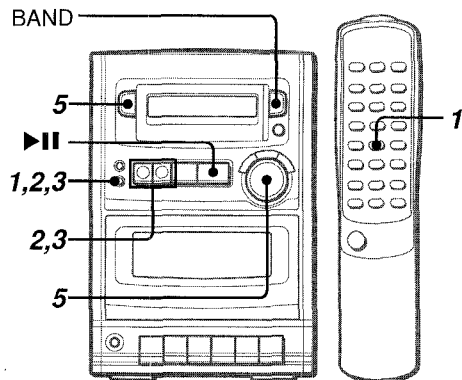
Pendant que l'appareil est allumé, maintenez appuyée la touche ■ jusqu'à ce que l'heure s'affiche puis appuyez sur la touche REPEAT avant de laisser passer 4 secondes. Répétez la même opération pour retourner au format de 12 heures.

#### Si l'affichage de l'horloge clignote alors que l'appareil est éteint

Cela est dû à une coupure de courant. Il faut de nouveau régler l'heure.

Si la coupure de courant dure plus de 12 heures environ, tous les pré-réglages mémorisés depuis l'achat de l'appareil doivent être refaits.

## RÉGLAGE DE LA MINUTERIE



L'appareil peut être allumé chaque jour à une heure spécifiée grâce à la minuterie incorporée.

#### Préparation

Assurez-vous que l'horloge est réglée à la bonne heure.

### 1 Appuyez sur la touche TIMER de la télécommande afin que s'affiche ☀ puis appuyez sur la touche SET avant de laisser passer 2 secondes.

☀ est alors affiché et l'heure clignote.



#### REMARQUE

Si vous n'appuyez pas sur la touche SET dans les 2 secondes qui suivent, il est possible qu'une autre opération commence.

### 2 Réglez l'heure d'allumage par la minuterie en appuyant la touche I◀◀ ou ▶▶I, puis sur la touche SET. Répétez cette opération afin de régler les minutes de l'heure d'allumage par la minuterie.

### 3 Sélectionnez la durée de la période d'activation de l'appareil par la minuterie avec la touche I◀◀ ou ▶▶I et appuyez sur la touche SET.



Vous pouvez régler la durée de la période d'activation de l'appareil par la minuterie entre 5 et 240 minutes, par pas de 5 minutes.

### 4 Préparez la source.

**Pour écouter un disque compact**, appuyez sur la touche ▶II et placez le disque.

**Pour écouter la radio**, appuyez sur la touche BAND et captez la station.

### 5 Appuyez sur la touche POWER afin d'éteindre l'appareil après avoir réglé le volume.

☀ reste affiché après l'extinction de l'appareil (minuterie dans le mode d'attente).

Quand l'heure d'allumage par la minuterie est atteinte, l'appareil s'allume et commence à émettre les sons venant de la source sélectionnée.

• Il n'est pas possible de régler le niveau du volume à 21 ou plus.

# RÉGLAGE DE LA MINUTERIE DE SOMMEIL

### Pour vérifier l'heure spécifiée

Appuyez sur la touche TIMER sur la télécommande. L'heure d'allumage par la minuterie clignote pendant 2 secondes. Cependant, la durée de la période d'activation par la minuterie ne sera pas affichée.

### Pour annuler temporairement le mode d'attente de la minuterie

Appuyez deux fois sur la touche TIMER sur la télécommande pour éteindre ☹.

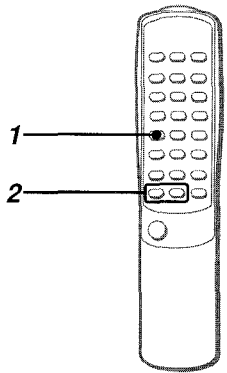
### Pour utiliser l'appareil alors que la minuterie est réglée

Vous pouvez utiliser l'appareil normalement après avoir réglé la minuterie.

Avant d'éteindre l'appareil, répétez l'opération 4 afin de préparer la source, puis régler le volume.

### REMARQUE

- La lecture commandée par la minuterie en commencera que si l'appareil est éteint.
- Il est impossible d'allumer et d'éteindre les appareils connectés au moyen de la minuterie incorporée dans cet appareil. Utilisez une minuterie externe.
- Si le courant est interrompu, l'affichage ☹ disparaît et l'horloge clignote. Réglez de nouveau l'horloge et la minuterie.



L'appareil peut être éteint automatiquement à un moment spécifié.

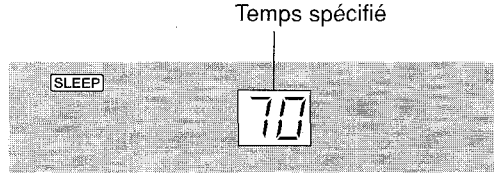
Utilisez la télécommande.

### 1 Appuyez sur la touche SLEEP.



### 2 Avant de laisser passer 4 secondes appuyez sur la touche ◀ ou ▶ afin de spécifier le temps pendant lequel l'appareil doit rester éteint.

Chaque fois que vous appuyez sur la touche, le temps change entre 5 et 240 minutes, par pas de 5 minutes.



### Pour vérifier le temps qui reste avant que l'appareil soit éteint

Appuyez une fois sur la touche SLEEP. Le temps restant s'affiche pendant 4 secondes.

### Pour annuler la minuterie de sommeil

Appuyez deux fois sur la touche SLEEP. "SLEEP" disparaît alors de l'affichage.

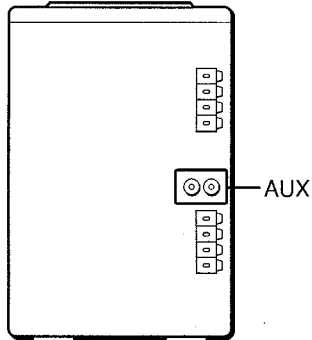
### REMARQUE

Si l'appareil est éteint pendant la lecture de cassette, la touche ▶ reste enfoncée. Appuyez sur la touche ■/▲ pour relâcher la touche ▶.



## CONNEXION D'UN APPAREIL OPTIONNEL

### CONNEXION À DES PRISES AUX



Cet appareil peut émettre des signaux sonores à travers les prises AUX.

Utilisez un câble à fiche phono RCA pour connecter un appareil (tourne-disque, lecteur de disques laser avec prises de sortie analogiques, platines de bandes audionumériques, lecteurs MD, magnétoscopes, T.V., etc.).

Connectez la fiche rouge à la prise droite et la fiche blanche à la prise gauche.

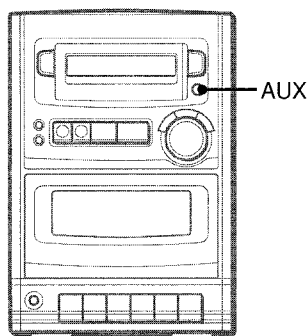
Consultez les instructions d'utilisation de l'appareil connecté pour avoir plus de détails.

- Les cordons de raccordement ne sont pas fournis. Procurez-vous les cordons de raccordement adéquats.
- Renseignez-vous auprès de votre distributeur Aiwa local pour connaître les appareils optionnels disponibles.

#### Connexion d'un tourne-disque

Utilisez un tourne-disque Aiwa muni d'un amplificateur égaliseur incorporé.

### ÉCOUTE DE SOURCES EXTERNES



Pour la lecture d'un appareil optionnel connecté aux prises AUX, appuyez sur la touche AUX et faites commencer la lecture. "AUX" apparaîtra sur l'affichage.

## SOINS ET ENTRETIEN

Vous devez effectuer un entretien périodique de votre chaîne et du logiciel afin d'optimiser leur bon fonctionnement.

#### Pour nettoyer le coffret

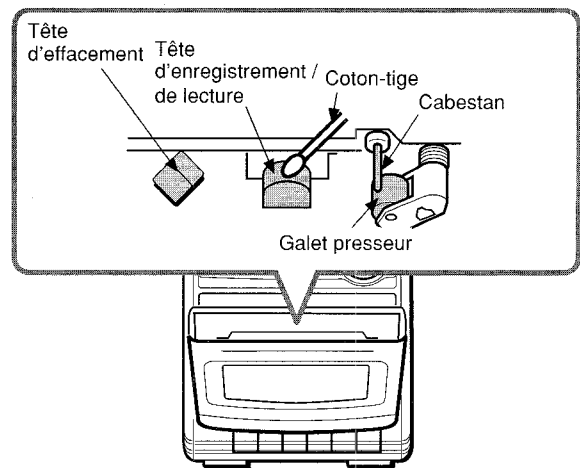
Utilisez un chiffon doux et sec.

Si les surfaces sont extrêmement sales, utilisez un chiffon doux légèrement humecté d'une solution de détergent doux. N'utilisez pas de solvants forts tels que de l'alcool, de la benzine ou du diluant car ils pourraient endommager la finition de l'appareil.

#### Pour nettoyer les têtes de lecture et les voies de défilement la bande

Toutes les dix heures d'utilisation, nettoyez les têtes et les voies de défilement de la bande en utilisant une cassette de nettoyage ou un coton-tige imbibé de produit de nettoyage ou d'alcool dénaturé. (Vous pouvez vous procurer des kits de nettoyage dans le commerce).

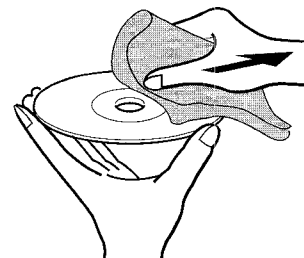
Si vous utilisez un coton-tige pour le nettoyage, essuyez la tête d'enregistrement/de lecture, la tête d'effacement, les cabestans et les galets presseurs.



Après avoir nettoyé les têtes et les voies de défilement de la bande à l'aide d'une cassette de nettoyage ou d'un coton-tige humide, attendez que les parties nettoyées soient complètement sèches avant d'insérer une cassette.

#### Soin des disques

- Lorsqu'un disque est sale, essuyez-le avec un chiffon de nettoyage, en partant du centre et en allant vers l'extérieur.



- Après avoir écouté un disque, rangez-le dans sa boîte. Ne laissez pas le disque dans un endroit chaud ou humide.

#### Soin des cassettes

- Rangez les cassettes dans leur boîte après leur utilisation.
- Ne laissez pas les cassettes près d'aimants, de moteurs électriques, de téléviseurs ni d'aucune autre source de champ magnétique. Cela affecterait la qualité du son et provoquerait du bruit.
- N'exposez pas les cassettes à la lumière directe du soleil et ne laissez pas dans une voiture garée en plein soleil.

# SPÉCIFICATIONS

## Unité principale

### Partie syntoniseur FM

Gamme d'accord	87,5 MHz à 108 MHz
Bornes d'antenne	75 ohms (asymétriques)

### Partie syntoniseur AM

Gamme d'accord	530 kHz à 1710 kHz (par pas de 10 kHz) 531 kHz à 1602 kHz (par pas de 9 kHz)
----------------	---

Antenne	Antenne cadre
---------	---------------

### Partie amplificateur

Puissance de sortie	5 W + 5 W (1 kHz, 10% de distorsion harmonique total, 4 ohms) 3,5 W + 3,5 W (100 - 15 kHz, moins d'1% de distorsion harmonique totale, 4 ohms)
---------------------	---

### Partie platine cassette

Format des pistes	4 pistes, 2 canaux stéréo
Réponse en fréquence	Bande normale: 50 Hz - 12500 Hz
Système d'enregistrement	Polarisation alternative
Système d'effacement	Effacement magnétique 1 tête d'enregistrement/de lecture 1 tête d'effacement

### Partie lecteur de disques compacts

Laser	Laser à semi-conducteur ( $\lambda = 780$ nm)
Dénumérateur	1 bit dual
Pleurage et scintillement	Non mesurables

### Système de haut-parleurs

Haut-parleurs	100 mm type conique, 4 ohms
Dimensions (L x H x P)	150 x 236,2 x 210,5 mm
Poids	1,1 kg

### Spécifications Générales

Alimentation requise	120 V AC, 60 Hz
Puissance consommée	22 W
Dimensions de l'unité principale (L x H x P)	160 x 236,2 x 209,3 mm
Poids de l'unité principale	2,6 kg

Les spécifications et l'aspect extérieur de cet appareil peuvent être modifiés sans préavis.

## NOTICE

Cet appareil a été testé et jugé conforme aux normes des appareils numériques de Classe B, conformément au chapitre 15 du règlement FCC. Ces normes sont conçues pour assurer une protection raisonnable contre les interférences radioélectriques lorsque l'appareil est utilisé dans un environnement résidentiel. Cet appareil génère, utilise et peut émettre des radiofréquences et, s'il n'est pas installé et utilisé conformément au mode d'emploi, il peut provoquer des interférences dans les communications radio. Il n'est cependant pas possible de garantir que des interférences ne se produiront pas dans une installation privée. Si cet appareil génère des interférences néfastes dans la réception des ondes radio ou télévisées, ce que l'on peut facilement contrôler en mettant l'appareil successivement sous et hors tension, l'utilisateur est invité à tenter de remédier aux interférences en appliquant l'une des mesures suivantes:

- Réorientez ou installez l'antenne de réception à un autre endroit.
- Eloignez davantage l'appareil du récepteur.
- Branchez l'appareil sur une prise secteur raccordée à un circuit d'alimentation différent de la prise sur laquelle le récepteur est branché.
- Consultez votre revendeur ou faites appel à un technicien radio/TV.

## ATTENTION

Tout modification ou réglage de cet appareil qui n'est pas explicitement agréé par le fabricant peut entraîner la nullité du droit de l'utilisateur à exploiter cet appareil.

# GUIDE DE DÉPISTAGE DES DÉFAUTS

Si l'appareil ne fonctionne pas comme décrit dans ces instructions d'utilisation, consultez le guide ci-dessous.

## GÉNÉRALITÉS

### Il n'y a pas de son

- Le cordon secteur est-il connecté correctement?
- Y a-t-il une mauvaise connexion ? (→ page 3)
- Avez-vous appuyé sur une touche de fonction incorrecte?

### Le son est inaudible.

- Il y a peut-être un court-circuit dans les bornes des haut-parleurs.  
→ Débranchez le cordon secteur de la prise puis rebranchez les cordons des haut-parleurs correctement. Branchez alors le cordon secteur et rallumez l'appareil.

### Le son ne sort que d'un seul haut-parleur

- L'autre haut-parleur est-il déconnecté?

## PARTIE SYNTONISEUR

### Il y a des parasites électrostatiques constants en forme d'ondes

- L'antenne est-elle connectée correctement ? (→ page 3)

### La réception comporte des parasites ou il y a une distorsion du son

- La chaîne capte-t-elle des parasites externes ou une distorsion par trajet multiple?  
→ Changez l'orientation de l'antenne.  
→ Éloignez l'appareil d'autres appareils électriques.

## PARTIE PLATINE CASSETTE

### La bande ne défile pas

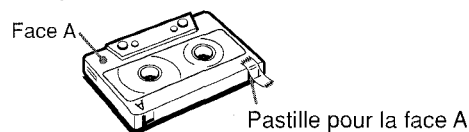
- La platine cassette est-elle dans le mode PAUSE? (→ page 8)

### Le son n'est pas équilibré ou pas assez haut

- La tête de lecture est-elle sale? (→ page 11)

### L'enregistrement est impossible

- Si la pastille de la cassette s'est cassée, recouvrez la cavité avec une bande adhésive.



- La tête d'enregistrement est-elle sale? (→ page 11)

### L'effacement est impossible

- La tête d'effacement est-elle sale? (→ page 11)
- Une cassette au métal ou CrO<sub>2</sub> a-t-elle été utilisée?
- La tête d'enregistrement/de lecture est-elle sale? (→ page 11)

## PARTIE LECTEUR DE DISQUES COMPACTS

### Le lecteur de disques compacts ne marche pas

- Le disque est-il inséré correctement ? (→ page 5)
- Le disque est-il sale? (→ page 11)
- La lentille de lecture est-elle affectée par de la condensation?  
→ Attendez environ une heure et essayez de nouveau.

## PARTIE HORLOGE ET MINUTERIE

### Il est impossible de régler la minuterie.

- L'horloge clignote-t-elle sur l'affichage?  
→ Rétablissez l'horloge. (Consultez page 9)

### Pour remettre l'appareil à zéro

Si une anomalie se produit dans la fenêtre d'affichage ou dans la platine cassette, remettez l'appareil à zéro en procédant de la manière suivante.

- 1 Appuyez sur la touche POWER pour éteindre l'appareil.
- 2 Appuyez sur la touche POWER pour rallumer l'appareil tout en appuyant sur la touche ■. Toutes les données mémorisées depuis l'achat sont effacées.

S'il est impossible d'éteindre l'appareil comme indiqué dans le paragraphe 1 à cause d'une anomalie, remettez l'appareil à zéro en débranchant le cordon secteur et effectuez l'opération 2.





## PARTS INDEX

---

The parts on the main unit and remote control are listed in alphabetical order with the pages on the right side. Refer to each page for instructions about each part.

## INDICE DE LAS PARTES

---

Las partes de la unidad principal y del control remoto se indican en orden alfabético con sus páginas correspondientes en la columna de la derecha. Consulte cada página para conocer las instrucciones relacionadas con cada parte.

## NOMENCLATURE

---

Les instructions concernant chaque partie de l'appareil principal et de la télécommande se trouvent aux pages indiquées ci-contre. Les noms des parties sont indiqués dans l'ordre alphabétique.

AUX .....	11
BAND .....	7
▶   CLEAR .....	5, 7
▶▶ F FWD .....	8
GEQ .....	4
OPEN .....	5
PAUSE .....	8
PHONES .....	4
▶ PLAY .....	8
POWER .....	4
■ PRESET .....	5, 7
P-SCAN .....	7
RANDOM .....	6
● REC .....	8
REPEAT .....	6
◀◀ REW .....	8
SET .....	6, 9
SLEEP .....	10
■/▲ STOP/EJECT .....	8
TIMER .....	9
TUNER MODE .....	7
◀◀, ▶▶ TUNING DOWN, UP .....	5, 7, 9
VOLUME .....	4
0-9, +10 .....	5, 6, 7
3-MODE EQUALIZER .....	4

---

For assistance and information,

**call toll free 1-800-BUY-AIWA.** (United States and Puerto Rico)

---